



User Guide  
Bedienungsanleitung  
Manual de usuario  
Guide de l'utilisateur  
Guida per l'utente

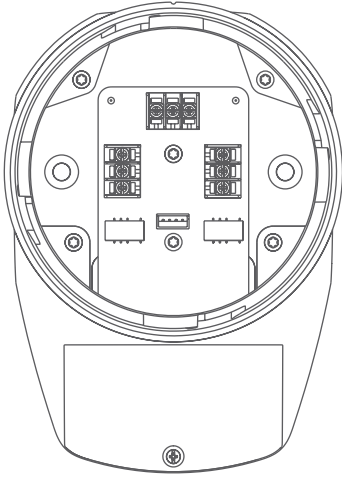
EN, DE, ES, FR, IT



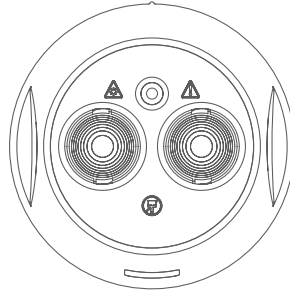


# User Guide

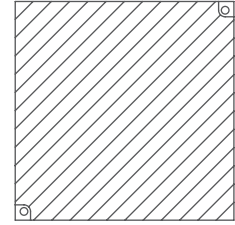
# In the Box



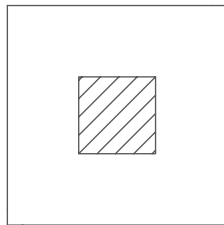
① Fireray One Base



② Fireray One Detector Head



③ Reflector



Short Range Mask

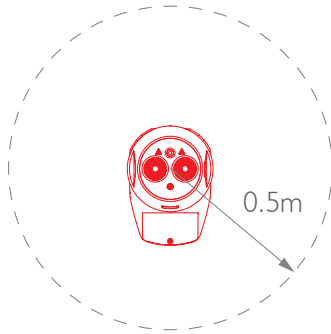


User guide

# General Information

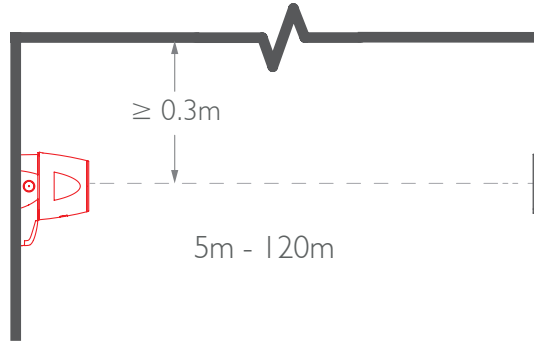
## Installation

All installations should comply with local regulations



Do NOT position Detector where personnel or objects can enter the beam path

Do NOT install the Detector or Reflector in environments where condensation or icing are likely to occur unless preventative measures have been taken



Position beam as high as possible, but with a minimum distance of 0.3m from Detector and Reflector to ceiling.

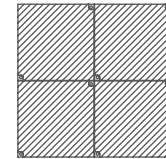
For detectors approved to UL268 refer to NFPA72 for installation guidance. In such installations, it is advised that the maximum distance of Detector and Reflector from the ceiling must be 10% of the distance between floor and ceiling



5 - 20m =  
1 Reflector + Short Range Mask



20 - 50m = 1 Reflector



50 - 120m = 4 Reflectors

Ensure correct Reflector selected for the appropriate distance

Mount Detector and Reflector directly opposite each other

Do not mount Reflector onto reflective surfaces

# Wiring

The Fireray One contains software that processes the output of the detector and generates a Fire and Fault status. This status is output using volt-free relays so that it can be interfaced to all types of conventional Fire Control Panel (FCP). To wire a single Detector to an FCP, use the following wiring diagram.

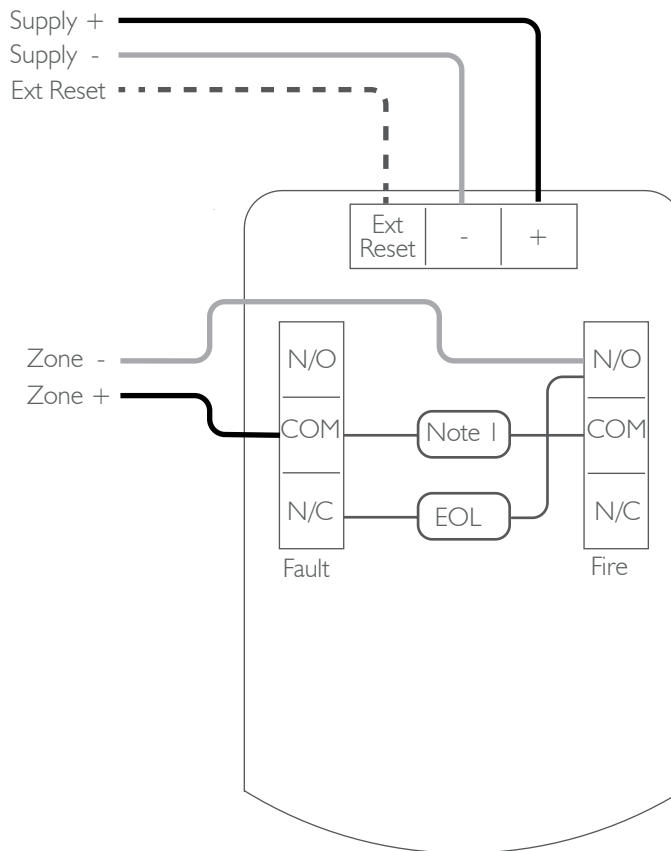
Components not supplied:

1. Fire Resistor (**Note 1**) - value is specified by the FCP manufacturer.  
For U.S. installations it is typically a short circuit.
2. End Of Line ('EOL') component - supplied by FCP manufacturer

After installation, check operation of Fire and Fault connections to the FCP - see page 15.

Apply a voltage of 5V to 40V to 'Ext Reset' contact for at least 2 seconds to clear a latched fire condition – see page 14 for latching mode setting.

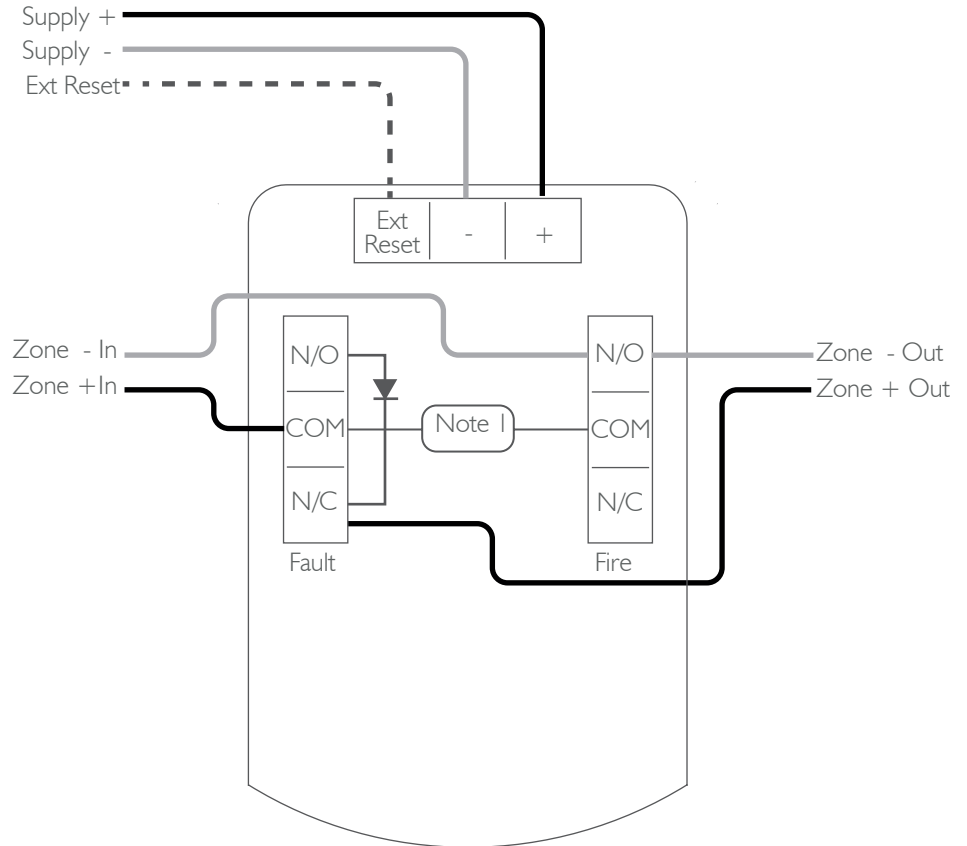
**CAUTION:** For system monitoring – Do not use looped wire under any terminals.  
Breakwire run to provide monitoring of connections.



When using more than one Detector on a single zone of a conventional FCP, it is important to choose the correct method of wiring. Incorrect wiring may result in a Detector isolating subsequent devices on that zone if it enters a Fault condition, and may prevent these subsequent devices signalling a Fire condition back to the FCP.

If the FCP monitors for point detector removal, it is possible to use the following wiring diagram which uses a diode to provide zone continuity in the event of a Fault state on any Detector.

Recommended diode type: Schottky, 60 Volt, 1 Amp, must be UL listed for installations meeting NFPA72



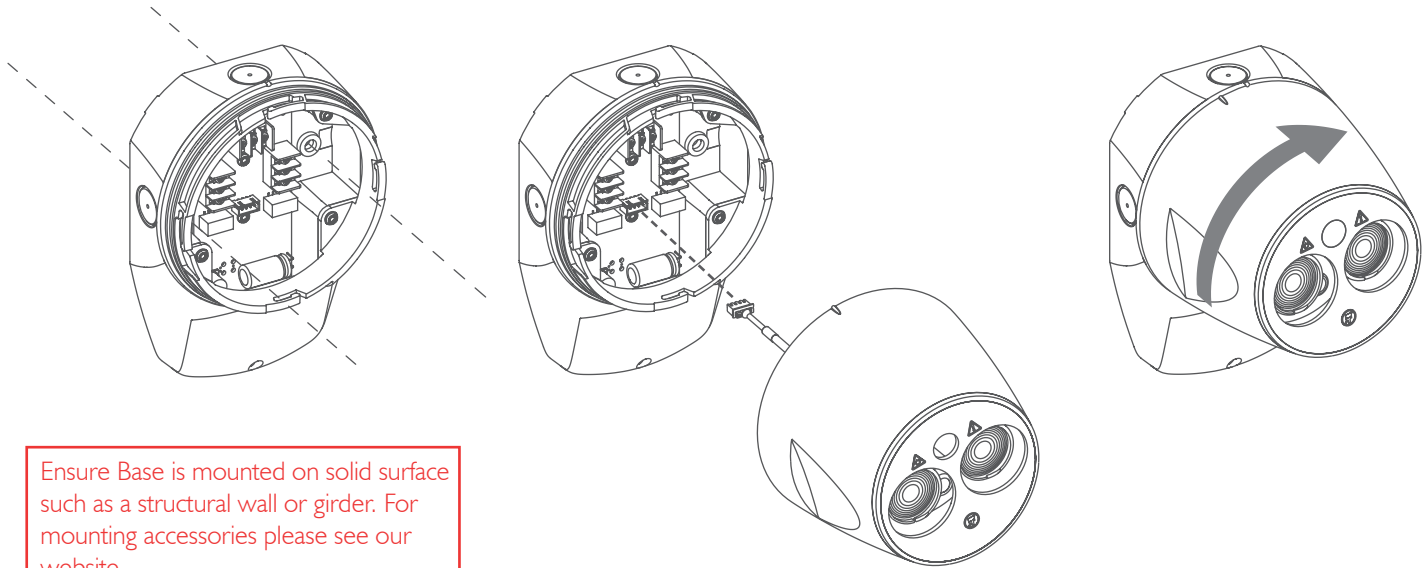
# Mounting

## Mount Base

Mark and drill holes for mounting of Base. Using appropriate hardware (not supplied) mount base securely in orientation shown.

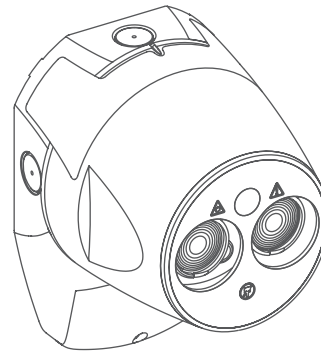
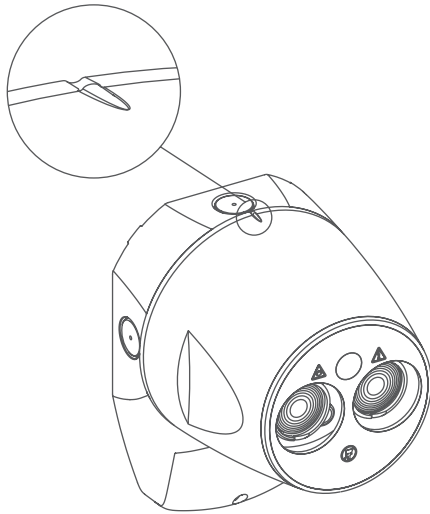
Plug the cable from the Detector head into the connector on the PCB in the Base.

Locate the Detector Head on the base. Grip sides of Detector Head and rotate clockwise to lock together.



Ensure Base is mounted on solid surface such as a structural wall or girder. For mounting accessories please see our website

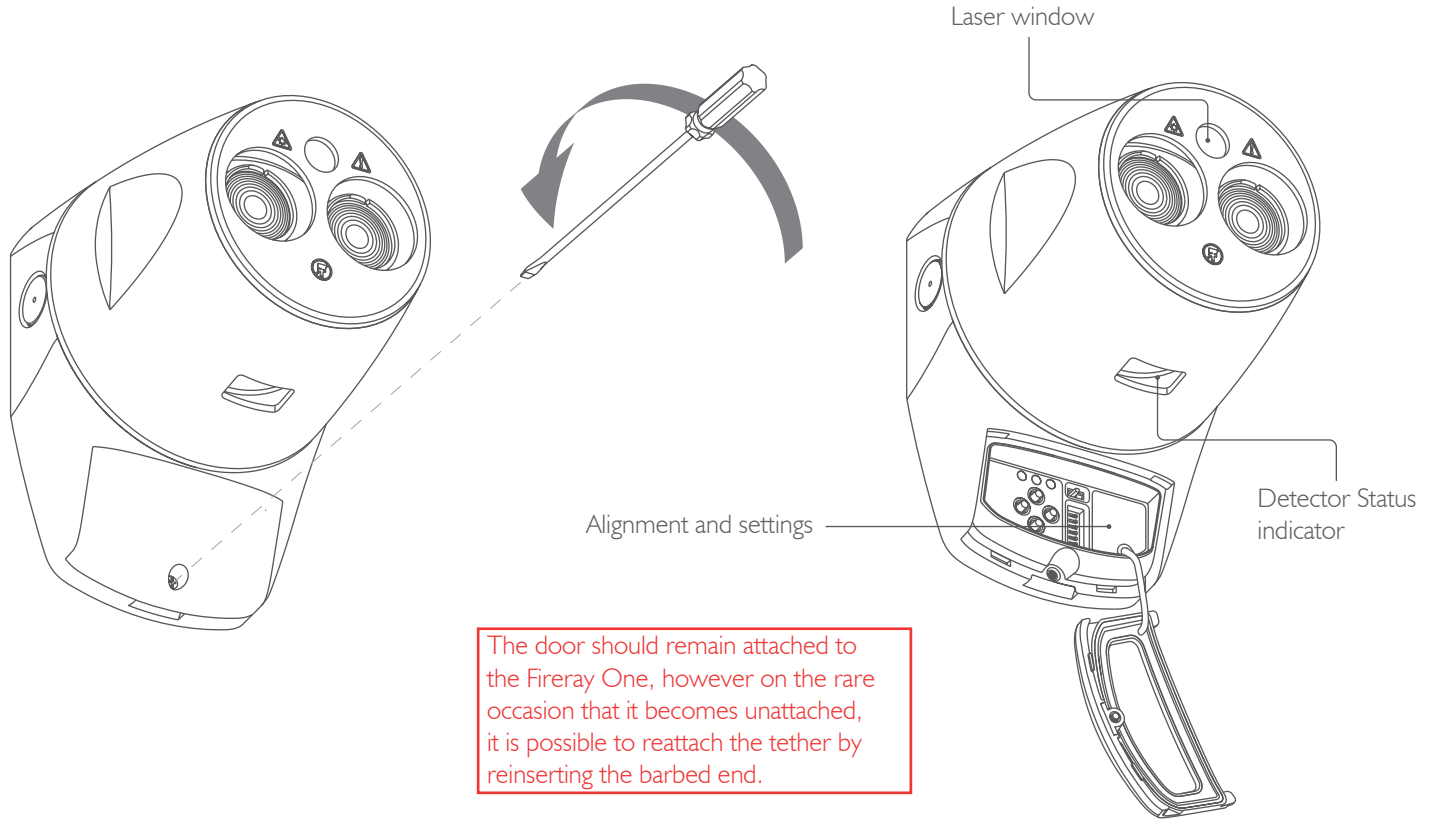




Ensure the 'Pip and Dip'  
details align

# Alignment

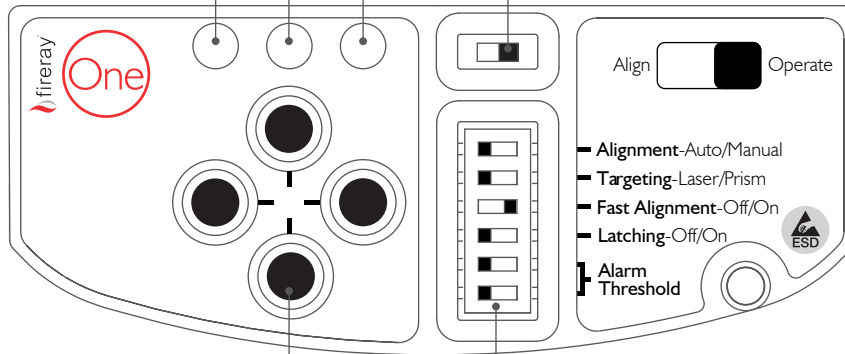
## Access User Interface



The door should remain attached to the Fireray One, however on the rare occasion that it becomes unattached, it is possible to reattach the tether by reinserting the barbed end.

Alignment Status indicators

Slide Switch



Direction keys

Settings Switch

# Alignment

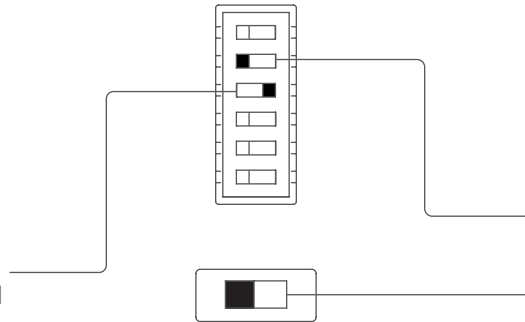
Fireray One will align in less than a minute if Fast Alignment is selected. In this mode, the current consumption during alignment will be 33mA (it will revert to 5mA when alignment is completed).

To select fast alignment mode, ensure the fast alignment setting switch is set to the right hand position

If lower consumption during alignment is required, then ensure the Fast Alignment setting switch is set to Off – consumption will remain at 5mA but alignment can take up to 15 minutes.



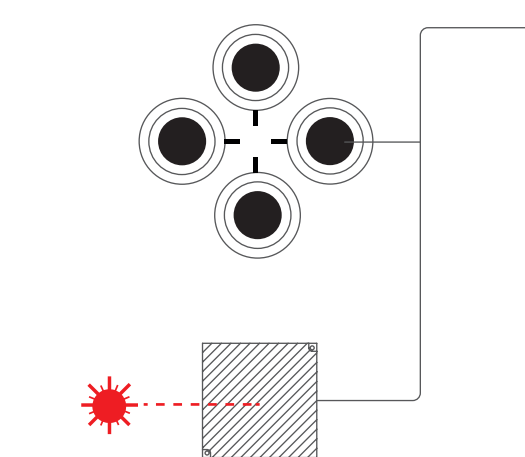
LASER RADIATION - AVOID  
DIRECT EYE EXPOSURE  
POWER OUTPUT < 5mW-  
CLASS IIIa LASER  
Wavelength 630 - 680 nm



Stage I (Targeting) is the process of using the laser to get the infra-red beam close enough to the reflector so that Alignment can begin.

Ensure the targeting setting switch is set to the left hand position.

To turn the laser on move the slide switch to the left hand position.



Use the direction keys to move the laser point on to the Reflector.

If the laser cannot be seen, for example in very bright environments or over long distances, then Prism Targeting mode can be used – refer to the next page.

Once Targeting is complete, move to Stage 2.

---

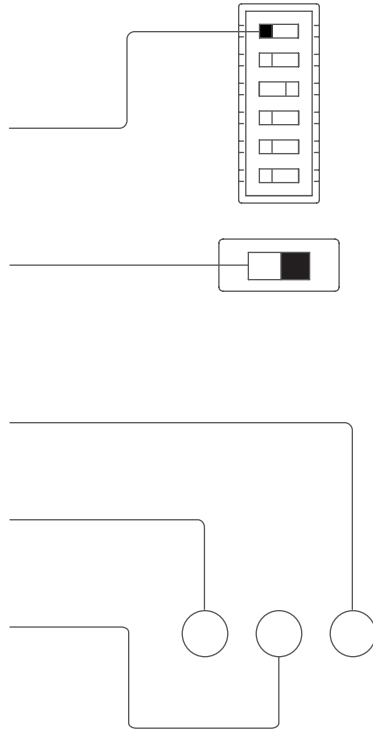
Stage 2 (Alignment) moves the infra-red beam exactly to the middle of the Reflector.

To select automatic alignment, ensure the alignment setting switch is set to the left hand position.

To begin automatic alignment move the slide switch to the right hand position.

The alignment status LEDs will flash to show progress:

- The right-hand green LED will flash continually throughout alignment to indicate alignment is occurring
- The left-hand green LED flashes to indicate which stage (1 to 4) the process is at.
- If for any reason the alignment fails the amber LED will flash, and the number of times it flashes indicates which alignment stage failed.



If alignment fails, ensure that the correct number of reflectors are installed, that the correct clearance has been given, and that there are no reflective surfaces around the reflector or close to the beam path, and try the alignment again.

If alignment repeatedly fails, it is possible to do a manual alignment.

Once the alignment is successfully complete, the right-hand green LED will flash for 10 seconds.

The Fire and Fault relays will go to normal state, and the Detector will flash its status indicator green every 10 seconds.

You are now ready to select Alarm Thresholds and Latching mode, and to test the Detector to ensure it is operating and connected to the Fire Control Panel correctly.

# Alignment

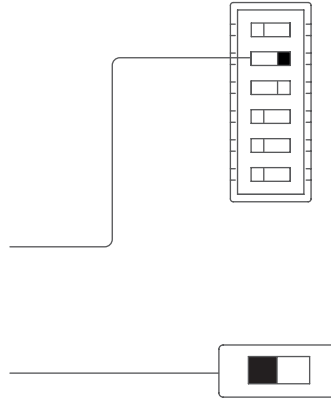
## Prism targeting

Prism targeting should only be used when the laser cannot be seen, for instance in high ambient lighting conditions or over very long distances.

Ensure targeting setting switch is in the right hand position.

Move the slide switch to the left position. The green and amber LEDs will flash together for a few seconds to show the detector has started Prism targeting.

If the green LED stays illuminated the Detector is receiving enough light back from the Reflector. Cover the reflector – if the green LED goes off then the light being received by the Detector is coming from the Reflector and you can now proceed to the Alignment stage. If the green LED stays illuminated with the reflector covered then the light received by the detector is being reflected by some other object in or around the beam path. Take care to make sure there are no reflective objects within 0.5m of the centre of the beam path, and try Prism Targeting again.



The amber LED will flash every two seconds if the Detector is not receiving enough light from the Reflector. The number of flashes indicate how strong a signal it is receiving. Using the direction buttons, move the detector in one axis until the amber flashes increase. If the number of flashes stays the same, then keep going in the same direction. If the number decreases then reverse direction. Once the number of flashes starts to increase then keep going until either:

- The green LED comes on, at which point cover the reflector as described above
- The amber flashes start to decrease again, at which point reverse direction for 2 steps and perform the same process in the other axis

If Prism Targeting has been performed on both axes and the green LED is still not on then ensure that the correct number of reflectors for the range has been used, that the distance has not exceeded the maximum (120m/394ft) and that the reflector and detector are parallel to each other.

---

## Manual Alignment

Manual alignment should only be used when Automatic alignment has failed even after it has been verified that the correct number of reflectors have been installed and the correct clearance around the beam path has been given.

Perform targeting as previously described

Ensure Setting Switch 1 is in the right-hand position, and move the Slide Switch to the right-hand position

The green and amber LEDs may flash if the detector needs to perform an initial power adjustment

Once the LEDs have stopped flashing, use the direction buttons to move the detector in the up-down axis. First, use the direction button in the down direction. Press the button once, and wait to see what the LED indication shows. If both amber and green LEDs flash, the signal has not changed so no further movement in that axis is needed.

If the amber LED flashes, the signal is smaller and the detector is moved away from the reflector. The next movement must be in the opposite direction. Using the direction buttons, move the detector again – this time there should be a green flash.

If the green LED flashes, the signal is larger and the detector is moving closer to the reflector. The next movement must be in the same direction. Keep moving the detector, waiting for the LED flash each time. If the green LED keeps flashing, keep going in the same direction. If the amber and the green LED flashes, then move onto the other axis. If the amber LED flashes, move back in the opposite direction once, then move onto the other axis.

Follow the same process with the direction buttons, this time in the left-right axis. Start by moving the left direction, and follow the same LED flashes as described in the up-down axis.

Once the alignment has been completed on both axis then move Setting Switch 1 to the left-hand position. The right-hand green LED will flash for 10s, the Fire and Fault relays will go to normal state, and the Detector will flash its status indicator green every 10 seconds.

You are now ready to select Alarm Thresholds and Latching mode, and to test the Detector to ensure it is operating and connected to the Fire Control Panel correctly.

# Settings

## Fire Threshold

Threshold	SW5	SW6
25%	On	On
35%	Off	Off
55%	On	Off
85%	Off	On

**EN54-12 Threshold Selection:** Only the 25% and 35% thresholds are approved. Both are suitable for separations of 5m to 120m.

**UL268 Threshold Selection:** Select the correct threshold for the installed distance:

Separation between Detector and Reflector	Acceptable Alarm Thresholds
<25ft (<7.5m)	25%
25 – 55ft (7.5 – 16.5m)	25%, 35%
55 – 110ft (16.5 – 33.5m)	35%, 55%
110 – 175ft (33.5 – 53m)	55%, 85%
175 – 394ft (53 – 120m)	85%

## UL Sensitivity Acceptance Test

Successful alignment of the Detector will check correct operation of the Detector and its sensitivity level.

## Latching Mode

The Fire state will automatically clear once the signal strength has recovered unless Latching Mode has been selected. To select Latching Mode move the Latching Mode switch to the On position.

## External Reset

If Latching mode is selected then to clear a fire condition remove power for longer than 10 seconds or apply a voltage of greater than 5V to Ext-Rst for longer than 2 seconds.



# Status Indications and Troubleshooting

---

## Status Indications

During normal operation the Detector Status indicator LED will flash green every 10 seconds, and both Fire and Fault relays will be in their normal position.

If the detector is in Fault state, its LED will flash amber every 10 seconds to indicate Signal High/Low Fault, every 5 seconds to indicate AGC/Compensation Fault, and every 3 seconds to indicate Internal Fault. The Fault relay will change state.

If the detector is in Fire state, its LED will flash red every 10 seconds and the Fire relay will change state.

## Cleaning

The Detector will automatically compensate for dust build up by changing its AGC level. Once the AGC limit has been reached, the Detector will indicate a Fault and cleaning must be performed.

It is therefore recommended that the Detector lens windows and the Reflector are periodically cleaned with a soft lint-free cloth to prevent AGC limit faults occurring.

After cleaning, if the Detector is in Fault state, the signal strength may have increased above the Signal Too High threshold. If this is the case, re-align the Detector.

## Testing

After installation or cleaning it is recommended that a Fire and Fault test is performed.

Fire Test: Cover the reflector slowly so that it takes longer than 5 seconds to cover. The Detector will indicate Fire after 10 seconds.

Fault Test: Cover the reflector completely within 2 seconds. The Detector will indicate Fault after 10 seconds.

## Technical Information

Fireray One Parameters	Minimum	Typical	Maximum	Unit
Operating Voltage	14	-	36	V
Operating Current	4.5	5.0	5.5	mA
Operating Current – Alignment Modes	31	33	35	mA
Response Thresholds (25%, 35%, 55%, 85%) (note – only 25% and 35% are EN54-12 approved)	1.25 25	1.87 35	8.24 85	dB %
Delay to Alarm	-	10	-	s
Delay to Fault	-	10	-	s
Operating Distance (Separation between Detector and Reflector) (4 reflectors required for >50m, >164ft)	5 16	-	120 394	m feet
Rapid Obscuration Fault Threshold	-	85	-	%
Maximum angular alignment range of detector	-	-	±4.5	Deg
Tolerance to beam misalignment (per EN54-12) – Detector	-	±0.5	-	Deg
Tolerance to beam misalignment (per EN54-12) – Reflector	-	±5	-	Deg
Optical Wavelength	-	850	-	nm
Operating Temperature	-20 -4	-	+55 +131	°C °F
Storage Temperature	-40 -40	-	+85 +185	°C °F
Relative Humidity (non-condensing)	-	-	93	%RH
IP rating	-	55	-	-
Fire & Fault Relays (VFCO, Resistive) - Contact voltage	-	-	30	V DC
Fire & Fault Relays (VFCO, Resistive) - Contact current	-	-	2	A
Cable gauge	22 0.5	- -	14 1.6	AWG mm
Housing flammability rating	-	UL940 V0	-	-

Fireray One Dimensions and Weights	Width (mm)	Height (mm)	Depth (mm)	Weight (kg)
Reflective Detector, including smart base	134	182	151	0.7
Reflector	100	100	10	0.1

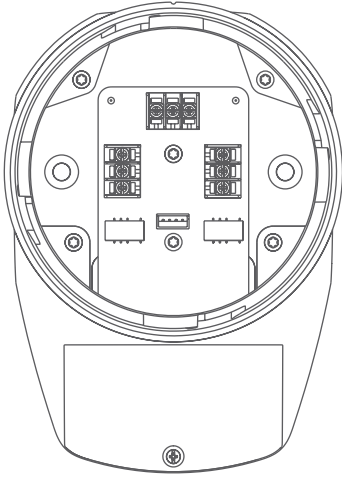
## Equipment Disposal



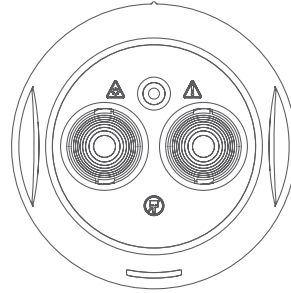
Products marked with this symbol cannot be disposed of as unsorted municipal waste in the European Union. For proper recycling, return this product to your local supplier upon the purchase of equivalent new equipment, or dispose of it at designated collection points. For more information see: [www.recyclethis.info](http://www.recyclethis.info).



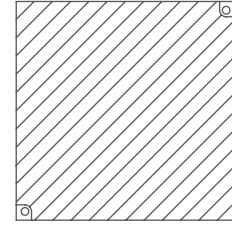
# Lieferumfang



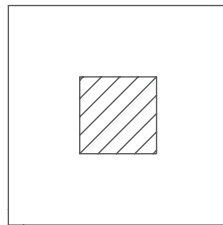
① Fireray One Sockel



② Fireray One Melderkopf



③ Reflektor



Nahbereichsmaske

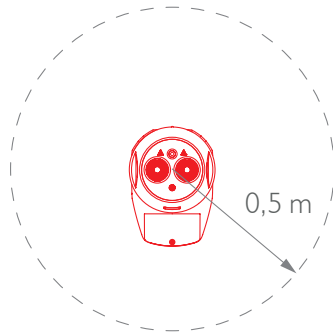


Bedienungsanleitung

# Allgemeine Informationen

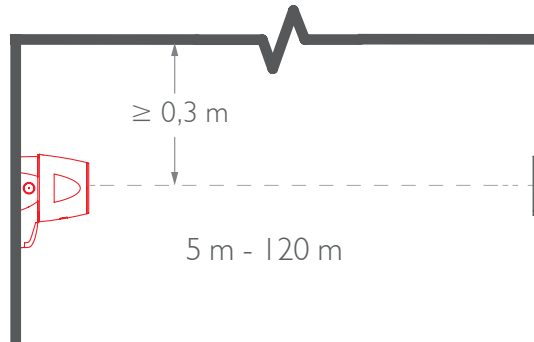
## Installation

Installationen sind grundsätzlich gemäß den lokalen Regelungen auszuführen



Melder NICHT dort positionieren, wo Menschen oder Gegenstände in den Strahlverlauf eindringen können

Melder oder Empfänger NICHT in Umgebungen installieren, wo Kondensation oder Eisbildung möglich ist, sofern keine vorbeugenden Maßnahmen ergriffen wurden



Den Strahl möglichst hoch, jedoch mit einem Mindestabstand von 0,3 m von Melder und Reflektor zur Decke positionieren.

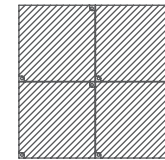
Für nach UL268 zugelassene Melder siehe NFPA72 für eine Installationsanleitung. Für solche Installationen wird ein maximaler Abstand von Melder und Reflektor zur Decke empfohlen, der 10 % des Abstands zwischen Fußboden und Decke beträgt



5 - 20 m =  
1 Reflektor + Nahbereichsmaske



20 - 50 m = 1 Reflektor



50 - 120 m = 4 Reflektoren

Stellen Sie sicher, dass der richtige Reflektor für den entsprechenden Abstand ausgewählt wurde

Melder und Reflektor unmittelbar einander gegenüberliegend montieren

Den Reflektor nicht auf reflektierenden Flächen montieren

# Verkabelung

Fireray One umfasst Software zur Verarbeitung der Ausgaben des Detektors und zur Generierung eines Alarm- und Fehlerstatus. Die Ausgabe dieses Status erfolgt über potenzialfreie Relais um eine Verbindung mit herkömmlichen Brandmeldezentralen (BMZ) aller Bauarten zu ermöglichen. Beachten Sie den folgenden Schaltplan zum Anschließen eines einzelnen Melders an eine BMZ.

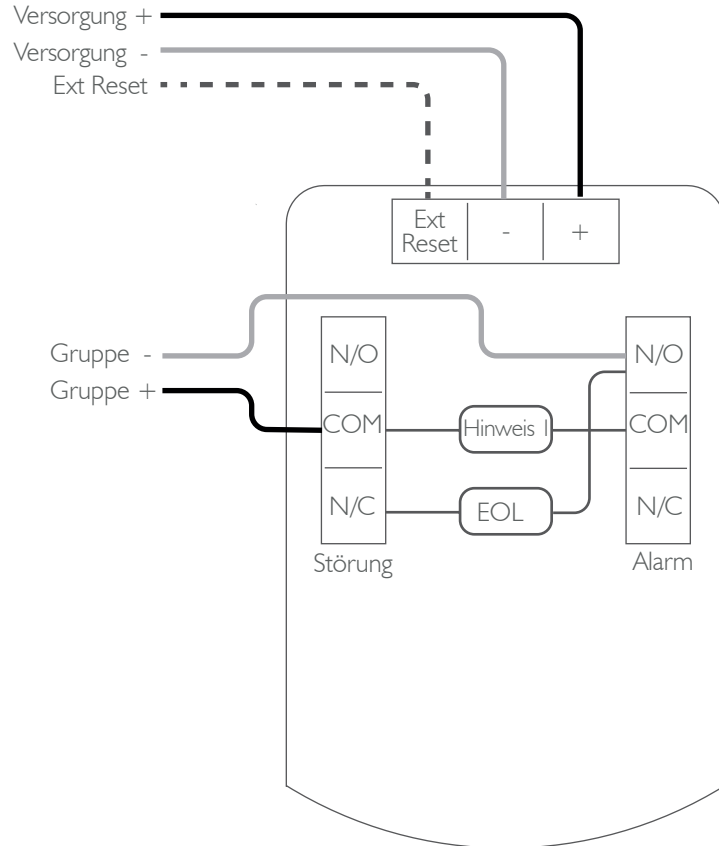
Nicht mitgelieferte Komponenten:

1. Alarmwiderstand (**Hinweis I**) - Wert wird festgelegt durch den Hersteller der BMZ.  
Bei US-Installationen handelt es sich typischerweise um eine Kabelbrücke.
2. EOL-Komponente (**End Of Line**) - Lieferung durch den Hersteller der BMZ

Im Anschluss an die Installation ist die Funktion der Alarm- und Störungsverbindungen mit der BMZ - siehe Seite 15.

Spannung von 5 V bis 40 V mindestens 2 Sekunden lang an den Kontakt „Ext Reset“ anlegen, um den selbsthaltenden Zustand „Alarm“ (Latched Fire) zu beenden - siehe Seite 14 für den selbsthaltenden Modus.

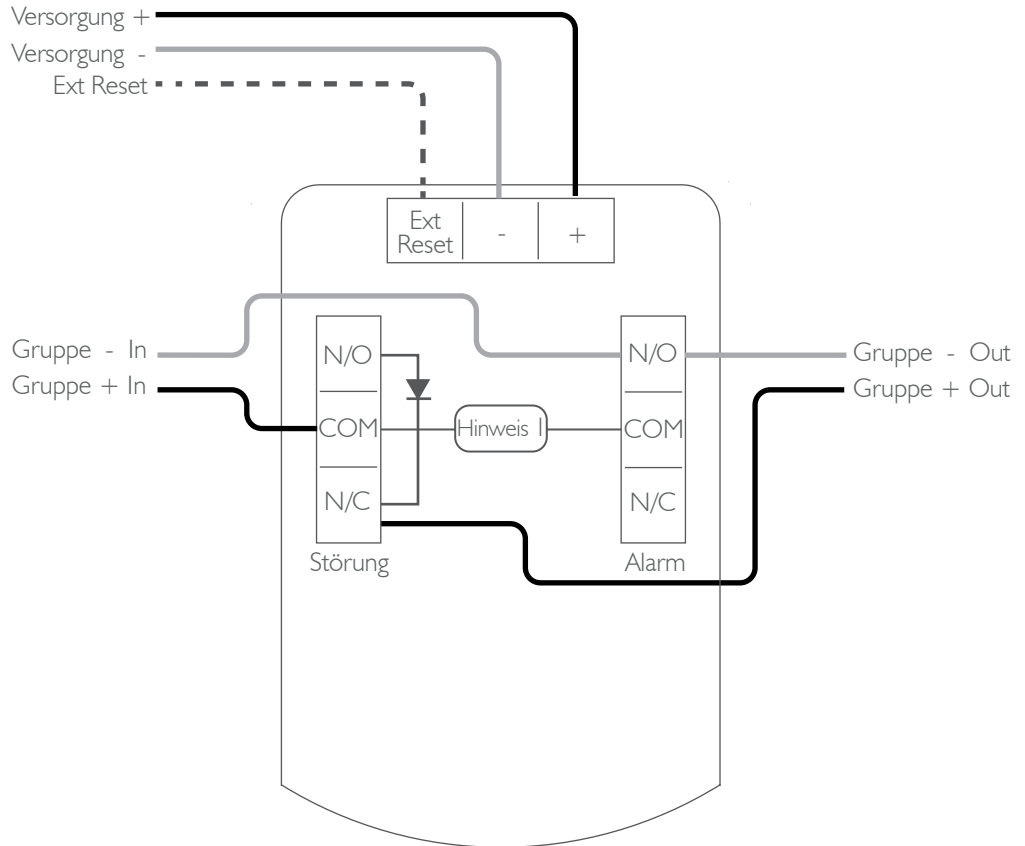
**VORSICHT:** Um die Systemüberwachung sicherzustellen, müssen die Drähte zwischen den Anschlussklemmen unterbrochen werden. Unterbrechen Sie den Kreislauf, um die Verbindungen zu überprüfen.



Bei Verwendung von mehr als einem Melder in einer einzelnen Gruppe einer herkömmlichen BMZ ist es wichtig, die richtige Art der Verkabelung zu wählen. Eine fehlerhafte Verkabelung kann dazu führen, dass ein Melder die nachgeschalteten Geräte in dieser Gruppe beim Wechsel in einen Störungszustand isoliert und diese nachgeschalteten Geräte ggf. daran hindert, einen Alarmzustand an die BMZ zu melden.

Wenn die BMZ das Entfernen von Punktdetektoren überwacht, kann der folgende Schaltplan verwendet werden, bei dem eine Diode eingesetzt wird, um bei Auftreten einer Störung an einem Melder die Kontinuität der Gruppe sicherzustellen.

Empfohlene Diodenart: Schottky, 60 V, 1 A; UL-Listed-Prüfzeichen erforderlich für Installationen gemäß NFPA72



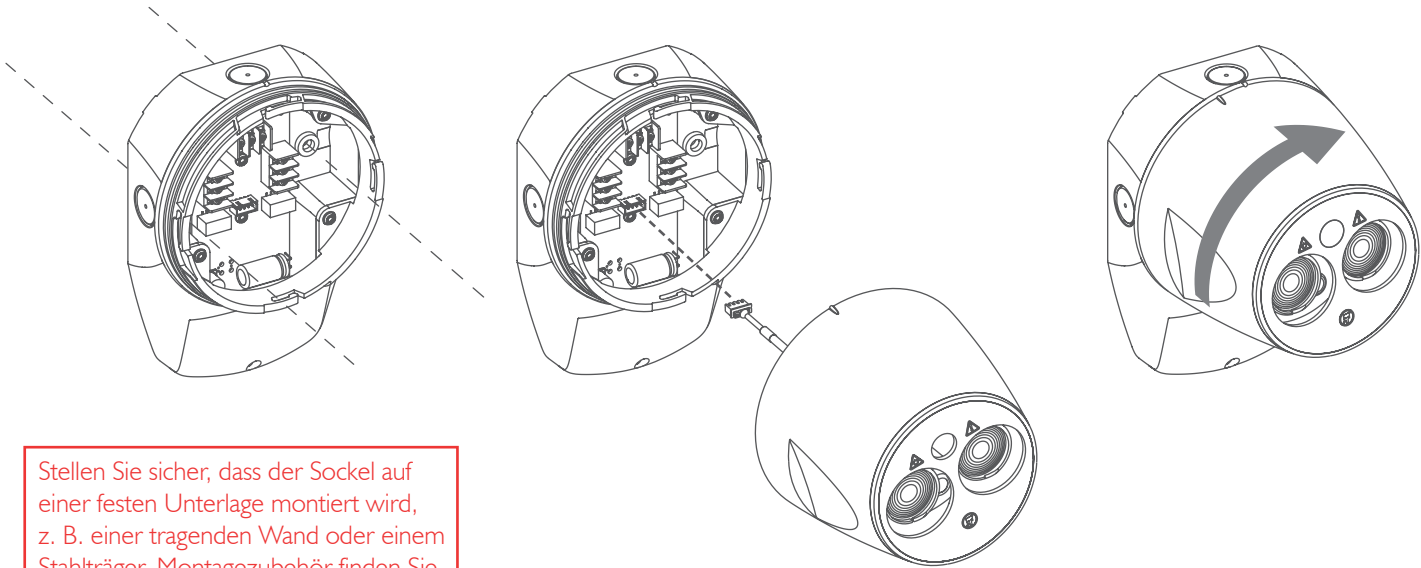
# Montage

## Montage des Sockels

Markieren und bohren Sie die Löcher für die Montage des Sockels. Bringen Sie den Sockel wie dargestellt mit geeignetem Werkzeug (nicht im Lieferumfang enthalten) fest an.

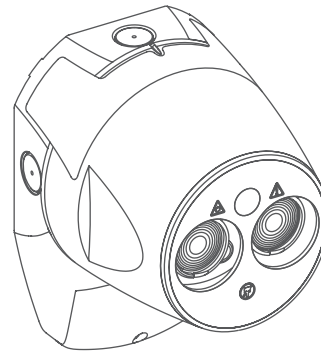
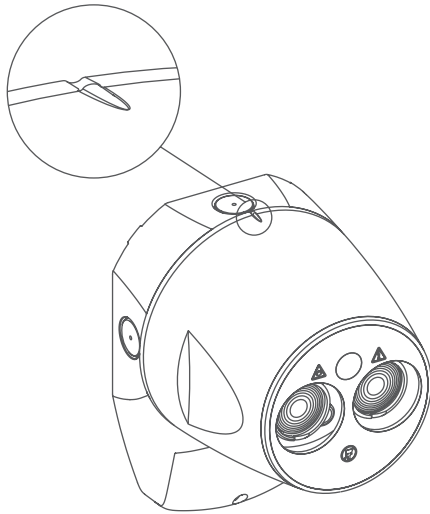
Stecken Sie das Kabel des Melderkopfes am Anschluss auf der Platine des Sockels ein.

Machen Sie den Melderkopf am Sockel ausfindig. Fassen Sie die Seiten des Melderkopfes und drehen Sie diese im Uhrzeigersinn, bis sie einrasten.



Stellen Sie sicher, dass der Sockel auf einer festen Unterlage montiert wird, z. B. einer tragenden Wand oder einem Stahlträger. Montagezubehör finden Sie auf unserer Website

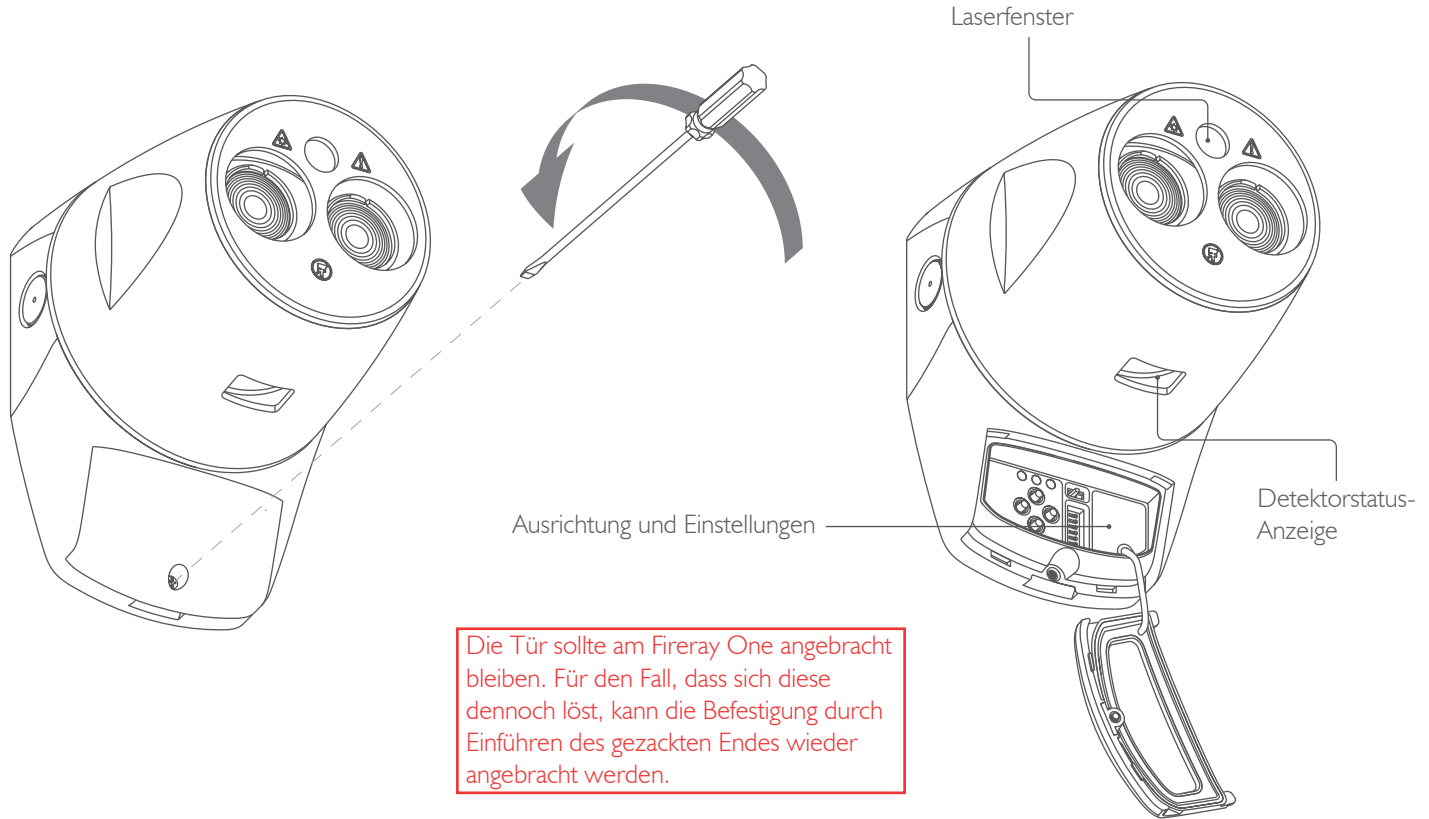




Stellen Sie sicher, dass  
die Markierungen korrekt  
ausgerichtet sind

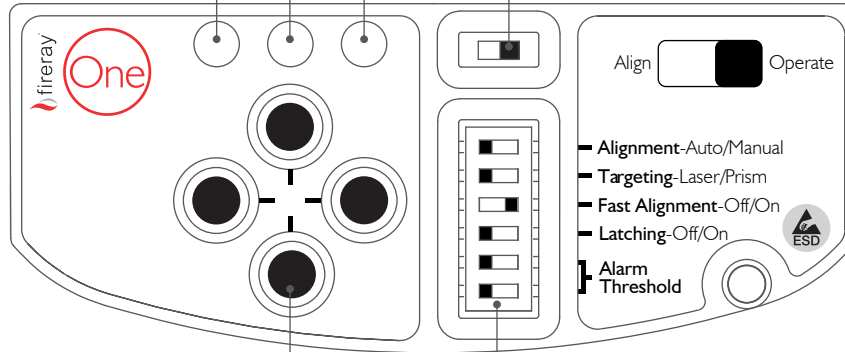
# Ausrichtung

## Benutzerschnittstelle



Ausrichtungstatus-Anzeigen

Schiebeschalter



Navigationstasten

Schalter für  
Einstellungen

# Ausrichtung

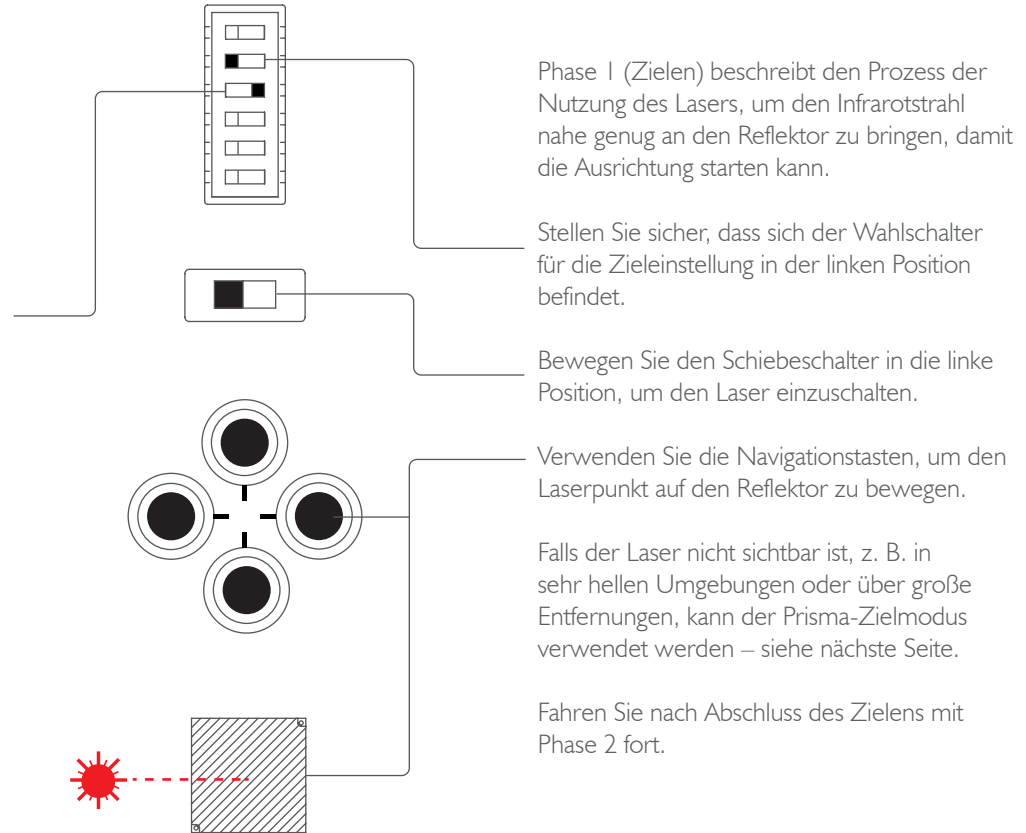
Fireray One kann im schnellen Ausrichtungsmodus in weniger als einer Minute ausgerichtet werden. In diesem Modus beträgt der Stromverbrauch während der Ausrichtung 33 mA (geht nach der Ausrichtung auf 5 mA zurück).

Zur Auswahl des schnellen Ausrichtungsmodus muss der Wahlschalter in der rechten Position stehen

Wenn ein geringerer Stromverbrauch während der Ausrichtung erforderlich ist muss der Wahlschalter für den schnellen Ausrichtungsmodus auf „Aus“ gestellt werden. In diesem Fall bleibt der Verbrauch bei 5 mA, allerdings kann die Ausrichtung bis zu 15 Minuten dauern.



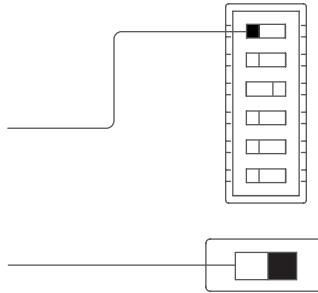
LASERSTRAHLUNG -  
VERMEIDEN SIE DIREKTE  
EXPOSITION DER AUGEN  
LEISTUNG < 5 mW KLASSE  
IIIa LASER  
Wellenlänge 630–680 nm



In Phase 2 (Ausrichtung) wird der Infrarotstrahl genau in die Mitte des Reflektors bewegt.

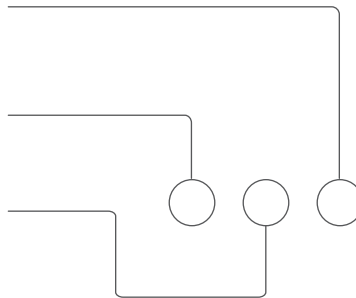
Stellen Sie sicher, dass sich der Wahlschalter für die Ausrichtung in der linken Position befindet, um automatische Ausrichtung zu wählen.

Bewegen Sie den Schiebeschalter in die rechte Position, um die automatische Ausrichtung zu starten.



Die Ausrichtungsstatus-LEDs blinken zur Anzeige des Fortschritts:

- Die rechte grüne LED blinkt dauerhaft während der Ausrichtung, um anzuzeigen, dass eine Ausrichtung stattfindet
- Die linke grüne LED blinkt, um anzuzeigen, in welcher Phase (1 bis 4) sich der Prozess befindet.
- Falls die Ausrichtung fehlschlägt, blinkt die orangefarbene LED, und die Anzahl der Blinkvorgänge zeigt an, welche Phase der Ausrichtung fehlgeschlagen ist.



Falls die Ausrichtung fehlschlägt, stellen Sie sicher, dass die richtige Anzahl an Reflektoren installiert ist, dass der richtige Durchgang angegeben wurde und dass sich keine reflektierenden Flächen im Bereich des Reflektors oder in der Nähe des Strahlverlaufs befinden, und führen Sie die Ausrichtung erneut durch.

Falls die Ausrichtung wiederholt fehlschlägt, ist auch eine manuelle Ausrichtung möglich.

Nach dem erfolgreichen Abschluss der Ausrichtung blinkt die rechte grüne LED 10 Sekunden lang.

Die Alarm- und Störungsrelais werden in den Normalstatus versetzt und die grüne Statusanzeige des Melders blinkt alle 10 Sekunden.

Sie können jetzt die Alarmschwellwerte und den selbsthaltenden Modus (Latching) auswählen und den Detektor testen, um den ordnungsgemäßen Betrieb und den Anschluss an die Brandmeldezentrale sicherzustellen.

# Ausrichtung

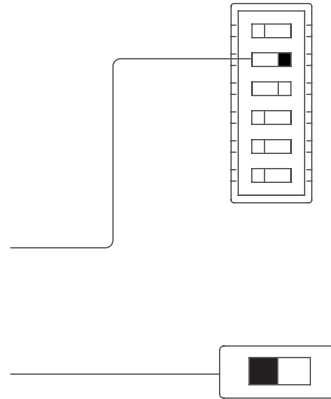
## Prisma-Zielmodus

Der Prisma-Zielmodus sollte nur verwendet werden, wenn der Laser nicht sichtbar ist, z. B. bei starker Umgebungsbeleuchtung oder über sehr große Entfernungen.

Stellen Sie sicher, dass sich der Wahlschalter für die Zieleinstellung in der rechten Position befindet.

Bewegen Sie den Schiebeschalter in die linke Position. Die grünen und orangefarbenen LEDs blinken einige Sekunden lang gleichzeitig, um anzuzeigen, dass der Melder den Prisma-Zielmodus gestartet hat.

Wenn die grüne LED weiterhin leuchtet, wird dem Melder ausreichend Licht vom Reflektor zurückgeworfen. Reflektor abdecken – wenn die grüne LED erlischt, wird das vom Melder empfangene Licht vom Reflektor zurückgeworfen und Sie können jetzt mit der Ausrichtungsphase fortfahren. Wenn die grüne LED bei abgedecktem Reflektor weiterhin leuchtet, wird das vom Melder empfangene Licht von einem anderen Objekt im oder um den Strahlverlauf herum reflektiert. Stellen Sie sicher, dass sich keine anderen reflektierenden Objekte in einer Entfernung von 0,5 m um das Zentrum des Strahlverlaufs befinden und führen Sie den Prisma-Zielmodus erneut aus.



Die orangefarbene LED blinkt alle zwei Sekunden, wenn der Melder nicht genug Licht vom Reflektor erhält. Die Anzahl der Blinkvorgänge gibt an, wie stark das empfangene Signal ist. Mit den Navigationstasten können Sie den Melder auf einer Achse bewegen, bis die orangefarbene LED häufiger blinkt. Bleibt die Blinkfrequenz gleich, fahren Sie in derselben Richtung fort. Blinkt die LED weniger häufig, müssen Sie die Richtung umkehren. Fahren Sie fort, wenn die LED häufiger blinkt, bis entweder:

- die grüne LED aufleuchtet; in diesem Fall decken Sie den Reflektor wie oben beschrieben ab; oder:
- die orangefarbene LED erneut weniger häufig blinkt; in diesem Fall müssen Sie die Richtung für 2 Schritte umkehren und denselben Vorgang auf der anderen Achse ausführen

Wenn der Prisma-Zielmodus auf beiden Achsen ausgeführt wurde und die grüne LED immer noch nicht aufleuchtet, müssen Sie sicherstellen, dass die richtige Anzahl an Reflektoren für den Bereich verwendet wurde, dass die Entfernung den Höchstwert (120 m/394 ft) nicht überschritten hat und dass Reflektor und Melder parallel zueinander ausgerichtet sind.

---

## Manuelle Ausrichtung

Eine manuelle Ausrichtung sollte nur erfolgen, falls die automatische Ausrichtung fehlgeschlagen ist, obwohl nachweislich die richtige Anzahl an Reflektoren installiert wurde und der richtige Durchgang um den Lichtstrahl angegeben wurde.

Führen Sie den Zielvorgang wie zuvor beschrieben durch.

Stellen Sie sicher, dass sich der Einstellungsschalter I in der rechten Position befindet, und bewegen Sie den Schiebeschalter in die rechte Position.

Die grünen und orangefarbenen LEDs können blinken, falls der Melder eine anfängliche Leistungsanpassung vornehmen muss.

Nachdem die LEDs aufgehört haben zu blinken, bewegen Sie den Melder mit den Navigationstasten in der Auf/Ab-Richtung. Drücken Sie zunächst die Navigationstaste in Abwärtsrichtung. Drücken Sie Taste einmalig und warten Sie, was die LEDs anzeigen. Wenn die grünen und die orangefarbenen LEDs

blinken, hat sich das Signal nicht verändert und es ist keine weitere Bewegung auf dieser Achse erforderlich.

Wenn die orangefarbene LED blinkt, hat sich das Signal verringert und der Melder wurde vom Reflektor wegbewegt. Die nächste Bewegung muss in entgegengesetzter Richtung erfolgen. Bewegen Sie den Melder erneut mit den Navigationstasten – diesmal sollte es grün blinken.

Wenn die grüne LED blinkt, hat sich das Signal erhöht und der Melder wurde zum Reflektor hinbewegt. Die nächste Bewegung muss in derselben Richtung erfolgen. Bewegen Sie den Melder weiter und warten Sie jedes Mal ab, bis die LED blinkt. Wenn die grüne LED weiterhin blinkt, fahren Sie in derselben Richtung fort.

Wenn die orangefarbene und die grüne LED blinken, wechseln Sie zur anderen Achse.

Wenn die orangefarbene LED blinkt, bewegen Sie den Melder einmal in entgegengesetzter Richtung und wechseln Sie anschließend zur anderen Achse.

Verfahren Sie mit den Navigationstasten ebenso auf der Links/Rechts-Achse. Beginnen Sie mit einer Bewegung nach links und befolgen Sie die LED-Blinkanzeigen wie für die Auf/Ab-Richtung beschrieben.

Bewegen Sie den Einstellungsschalter I nach Abschluss der Anpassung auf beiden Achsen in die linke Position. Die rechte grüne LED blinkt 10 Sekunden lang. Die Alarm- und Störungsrelais werden in den Normalstatus versetzt und die grüne Statusanzeige des Melders blinkt alle 10 Sekunden.

Sie können jetzt die Alarmschwellwerte und den selbsthaltenden Modus (Latching) auswählen und den Detektor testen, um den ordnungsgemäßen Betrieb und den Anschluss an die Brandmeldezentrale sicherzustellen.

## Alarmschwellwert

Schwellwert	SW5	SW6
25 %	Ein	Ein
35 %	Aus	Aus
55 %	Ein	Aus
85 %	Aus	Ein

### Auswahl der Schwellwerte nach EN 54-12:

Nur die Schwellwerte 25 % und 35 % sind zulässig. Beide sind für Abstände zwischen 5 m und 120 m geeignet.

### Auswahl der Schwellwerte nach UL268:

Wählen Sie den entsprechenden Schwellwert für den installierten Abstand aus:

Abstand zwischen Melder und Reflektor	Zulässige Alarm-Schwellwerte
< 25 ft (< 7,5 m)	25 %
25 – 55 ft (7,5 – 16,5 m)	25 %, 35 %
55 – 110 ft (16,5 – 33,5 m)	35 %, 55 %
110 – 175 ft (33,5 – 53 m)	55 %, 85 %
175 – 394 ft (53 – 120 m)	85 %

## Empfindlichkeits-Abnahmeprüfung nach UL

Bei erfolgreicher Ausrichtung des Melders erfolgt eine Prüfung des ordnungsgemäßen Betriebs des Melders sowie dessen Empfindlichkeit.

## Selbsthaltender Modus (Latching)

Der Alarmzustand wird automatisch zurückgesetzt, wenn die Signalstärke wieder ausreichend ist, sofern nicht der selbsthaltende Modus (Latching) ausgewählt wurde. Um diesen auszuwählen, stellen Sie den Schalter für den selbsthaltenden Modus (Latching) auf EIN.

## Externes Zurücksetzen

Wenn der selbsthaltende Modus (Latching) ausgewählt wurde, muss die Spannungsversorgung für mehr als 10 Sekunden abgeschaltet oder eine 5 V übersteigende Spannung für mehr als 2 Sekunden an Ext-Rst angelegt werden, um einen Alarmzustand zurückzusetzen.



# Statusanzeigen und Fehlerbehebung

---

## Statusanzeigen

Im Normalbetrieb blinkt die LED zur Anzeige des Melderstatus alle 10 Sekunden, und die Alarm- und Störungsrelais befinden sich in Normalposition.

Befindet sich der Melder im Störungszustand, blinkt dessen LED alle 10 Sekunden orange um eine Störung „Signal hoch/niedrig“ anzuzeigen, alle 5 Sekunden um eine Störung „AGC/Ausgleich“ anzuzeigen und alle 3 Sekunden um eine interne Störung anzuzeigen. Das Störungsrelais fällt ab.

Befindet sich der Melder im Alarmzustand, blinkt dessen LED alle 10 Sekunden rot und das Alarmrelais fällt ab.

## Reinigung

Staubablagerungen werden vom Melder automatisch durch Änderung des AGC-Pegels kompensiert. Nachdem der AGC-Grenzwert erreicht wurde, zeigt der Melder eine Störung an und muss gereinigt werden.

Es wird daher empfohlen, die Linsenfenster des Melders und den Reflektor in regelmäßigen Abständen mit einem weichen, fusselfreien Tuch zu reinigen, um Störungen durch das Erreichen des AGC-Grenzwerts zu vermeiden.

Wenn sich der Melder nach der Reinigung im Störungszustand befindet, hat die Signalstärke möglicherweise den oberen Schwellwert überschritten. In diesem Fall muss der Melder neu ausgerichtet werden.

## Testen

Nach der Installation oder Reinigungen empfiehlt sich die Durchführung eines Alarm- und Störungs-Funktionstests.

Alarmtest: Decken Sie den Reflektor so langsam ab, dass das Abdecken mehr als 5 Sekunden in Anspruch nimmt. Der Melder löst nach 10 Sekunden einen Alarm aus.

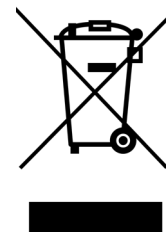
Störtest: Decken Sie den Reflektor binnen 2 Sekunden vollständig ab. Der Melder zeigt nach 10 Sekunden eine Störung an.

## Technische Daten

Parameter Fireray One	Mindestwert	Typischer Wert	Höchstwert	Maßeinheit
Betriebsspannung	14	-	36	V
Betriebsstrom	4,5	5,0	5,5	mA
Betriebsstrom – Ausrichtungsmodi	31	33	35	mA
Ansprechschwelle (25 %, 35 %, 55 %, 85 %)	1,25	1,87	8,24	dB
(Hinweis: nach EN 54-12 sind nur 25 % und 35 % zugelassen)	25	35	85	%
Alarmverzögerung	-	10	-	s
Störungsverzögerung	-	10	-	s
Funktionsabstand (Entfernung zwischen Melder und Reflektor)	5	-	120	m
(4 Reflektoren erforderlich, wenn > 50 m / > 164 ft)	16	-	394	Fuß
Störungsschwellwert bei schneller Verdunkelung	-	85	-	%
Maximaler Bereich Ausrichtungswinkel Melder	-	-	±4,5	Grad
Toleranz für Fehlausrichtung Lichtstrahl (nach EN 54-12) – Melder	-	±0,5	-	Grad
Toleranz für Fehlausrichtung Lichtstrahl (nach EN 54-12) – Reflektor	-	±5	-	Grad
Optische Wellenlänge	-	850	-	nm
Betriebstemperatur	-20	-	+55	°C
	-4	-	+131	°F
Lagertemperatur	-40	-	+85	°C
	-40	-	+185	°F
Relative Luftfeuchtigkeit (ohne Kondensation)	-	-	93	% RL
Schutzklasse	-	55	-	-
Alarm- und Störungsrelais (VFCO, resistiv) - Kontaktspannung	-	-	30	V DC
Alarm- und Störungsrelais (VFCO, resistiv) - Kontaktstrom	-	-	2	A
Kabelstärke	22	-	14	AWG
	0,5	-	1,6	mm
Gehäuse-Entflammbarkeit	-	UL940 V0	-	-

Abmessungen und Gewichte Fireray One	Breite (mm)	Höhe (mm)	Tiefe (mm)	Gewicht (kg)
Reflektierender Melder einschließlich Sockel	134	182	151	0,7
Reflektor	100	100	10	0,1

## Entsorgung des Geräts

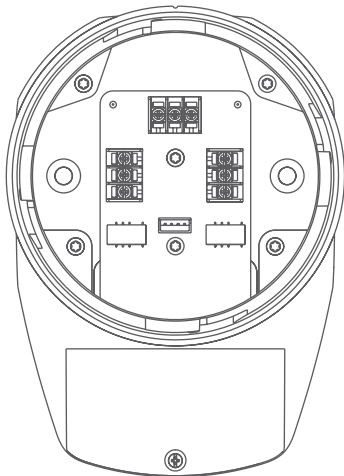


Mit diesem Symbol gekennzeichnete Geräte dürfen in der Europäischen Union nicht mit unsortiertem Restmüll entsorgt werden. Geben Sie dieses Produkt zum ordnungsgemäßen Recycling beim Kauf eines gleichwertigen Neugerätes bei Ihrem Händler vor Ort oder bei einer entsprechenden Sammelstelle ab. Weitere Informationen unter: [www.recyclethis.info](http://www.recyclethis.info).

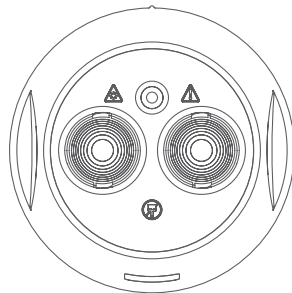


Manual de usuario

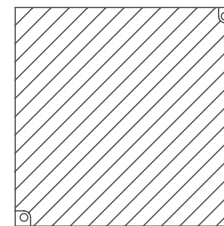
## Contenido de la caja



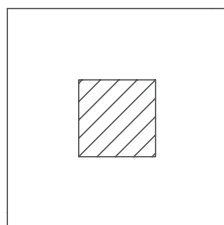
① Base Fireray One



② Cabeza detectora Fireray One



③ Reflector



Máscara de rango corto

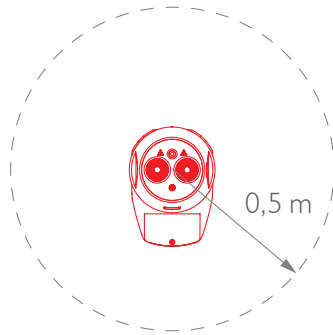


Manual de usuario

# Información general

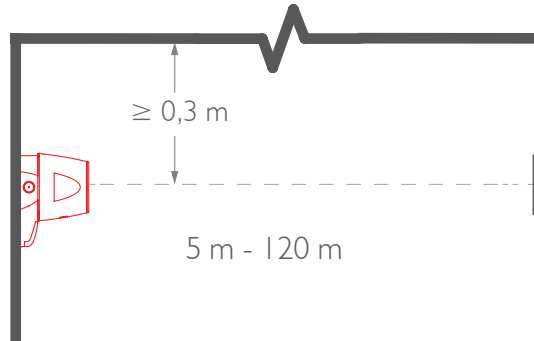
## Instalación

Todas las instalaciones deben cumplir con los reglamentos locales



NO coloque el detector donde la trayectoria del haz pueda ser invadida por personas u objetos

NO instale el detector o reflector en entornos donde sea probable la formación de condensación o escarcha a menos que se tomen medidas preventivas



Sitúe el haz lo más alto posible, pero con una distancia mínima de 0,3 m del detector y reflector al techo.

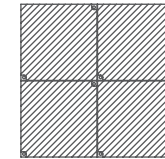
Para detectores aprobados según UL268, consulte NFPA72 para obtener orientación sobre la instalación. En dichas instalaciones, se recomienda que la distancia máxima entre el detector y reflector y el techo sea un 10 % de la distancia entre el suelo y el techo



5 - 20 m =  
1 reflector + máscara de rango corto



20 - 50 m = 1 reflector



50 - 120 m = 4 reflectores

Asegúrese de que se selecciona el reflector correcto para la distancia apropiada

Monte el detector y el reflector directamente uno frente al otro

No monte el reflector en superficies reflectantes

# Cableado

Fireray One contiene software que procesa la salida del detector y genera un estado de fuego y fallo. Este estado se emite utilizando relés sin tensión de modo que se pueda conectar a todos los tipos de panel de control de incendios (FCP, por sus siglas en inglés) estándar. Para conectar un único detector a un panel de control de incendios utilice el siguiente diagrama de conexión.

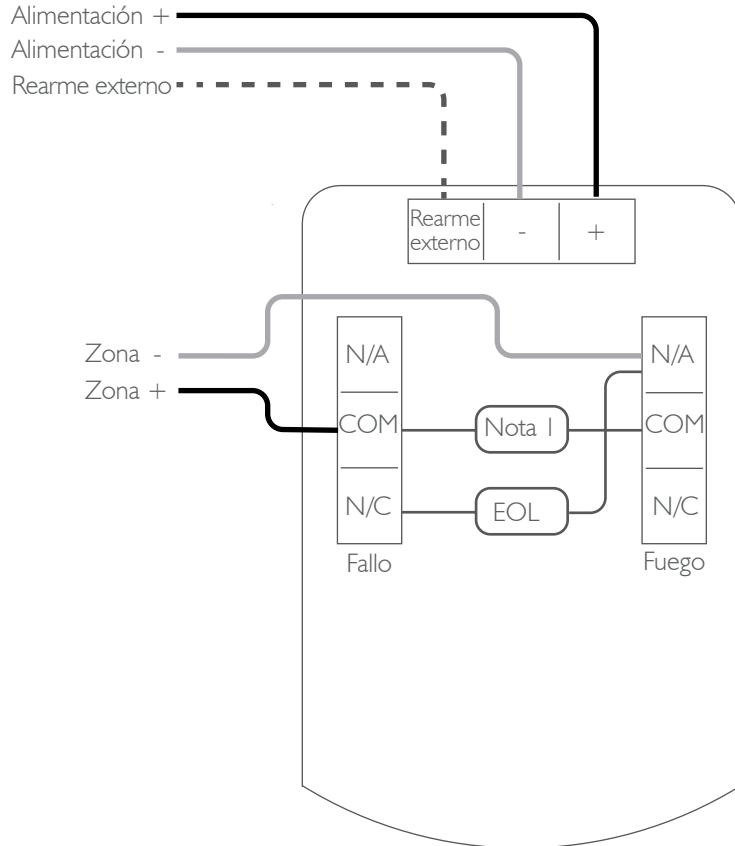
Componentes no incluidos:

1. Resistencia al fuego (**Nota 1**): el valor se especifica por el fabricante del panel de control de incendios. Para las instalaciones en EE. UU. suele ser un cortocircuito.
2. Componente de fin de línea (**EOL**, por sus siglas en inglés) suministrado por el fabricante del panel de control de incendios.

Después de la instalación, compruebe el funcionamiento de las conexiones de fuego y fallo al panel de control de incendios: consulte la página 15.

Aplique un voltaje de 5 V a 40 V al contacto «Ext Reset» (rearme externo) durante al menos 2 segundos para despejar una condición de enclavamiento por fuego: consulte la página 14 para el ajuste del modo enclavamiento.

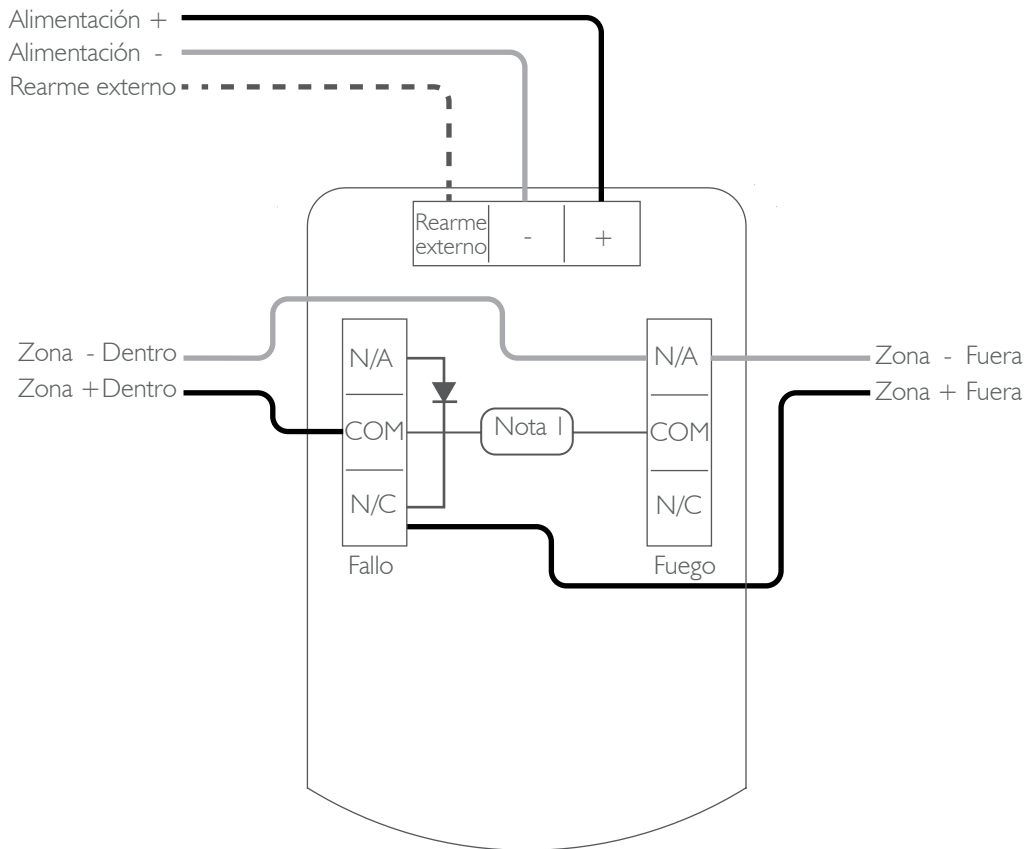
**PRECAUCIÓN:** Para supervisar el sistema: no utilice un cable enlace en ninguno de los terminales. Interrumpa el paso de la corriente para supervisar las conexiones.



Cuando se utilice más de un detector en una zona única de un panel de control de incendios convencional, es importante elegir el método adecuado de instalación eléctrica. Si la instalación eléctrica no es adecuada, puede que el detector aisle los dispositivos posteriores en la zona en la que haya una condición de fallo. Además, puede impedir que dichos dispositivos envíen una señal de condición de fuego al panel de control de incendios.

Si el panel de control de incendios supervisa la extracción de detectores puntuales, puede consultar el siguiente diagrama de instalación eléctrica que utiliza diodos para proporcionar continuidad de zona en caso de que cualquier detector se encuentre en estado de fallo.

Tipo de diodo recomendado: Schottky, 60 V, 1 A; debe aparecer en la lista de UL para las instalaciones que cumplen el código NFPA72



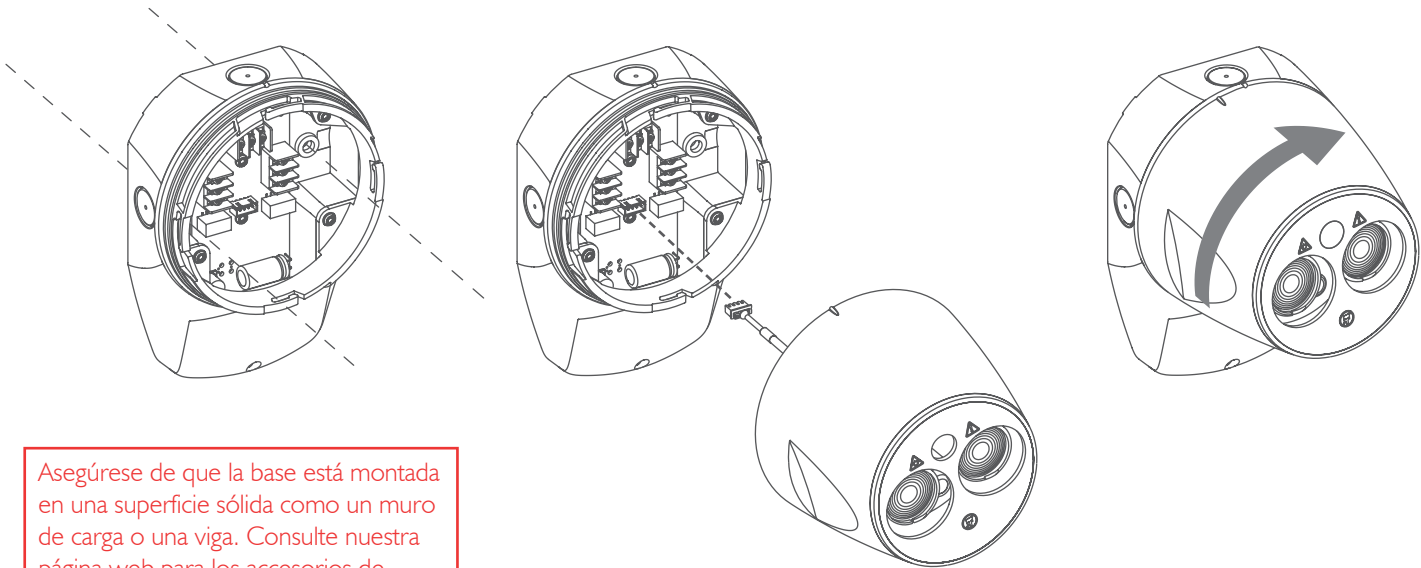
# Montaje

## Base de montaje

Marque y perfore orificios para el montaje de la base. Empleando el material adecuado (no suministrado) monte la base de forma segura en la orientación que se muestra.

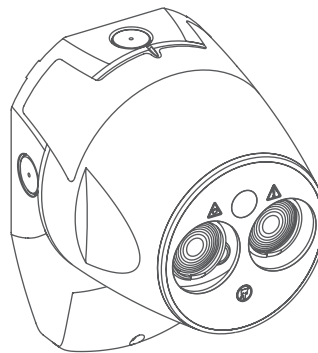
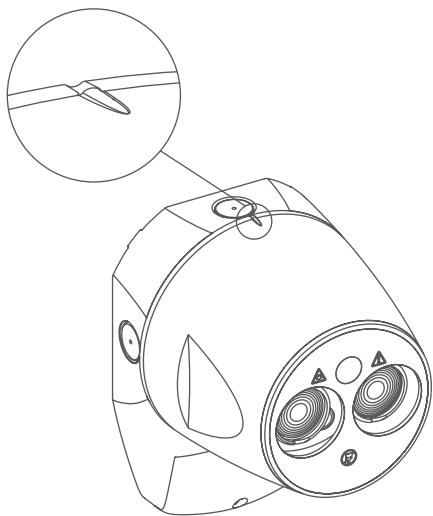
Inserte el cable de la cabeza detectora en el conector en el PCB en la base.

Sitúe la cabeza detectora en la base. Fije los lados de la cabeza detectora y gire en dirección horaria para que encajen.



Asegúrese de que la base está montada en una superficie sólida como un muro de carga o una viga. Consulte nuestra página web para los accesorios de montaje

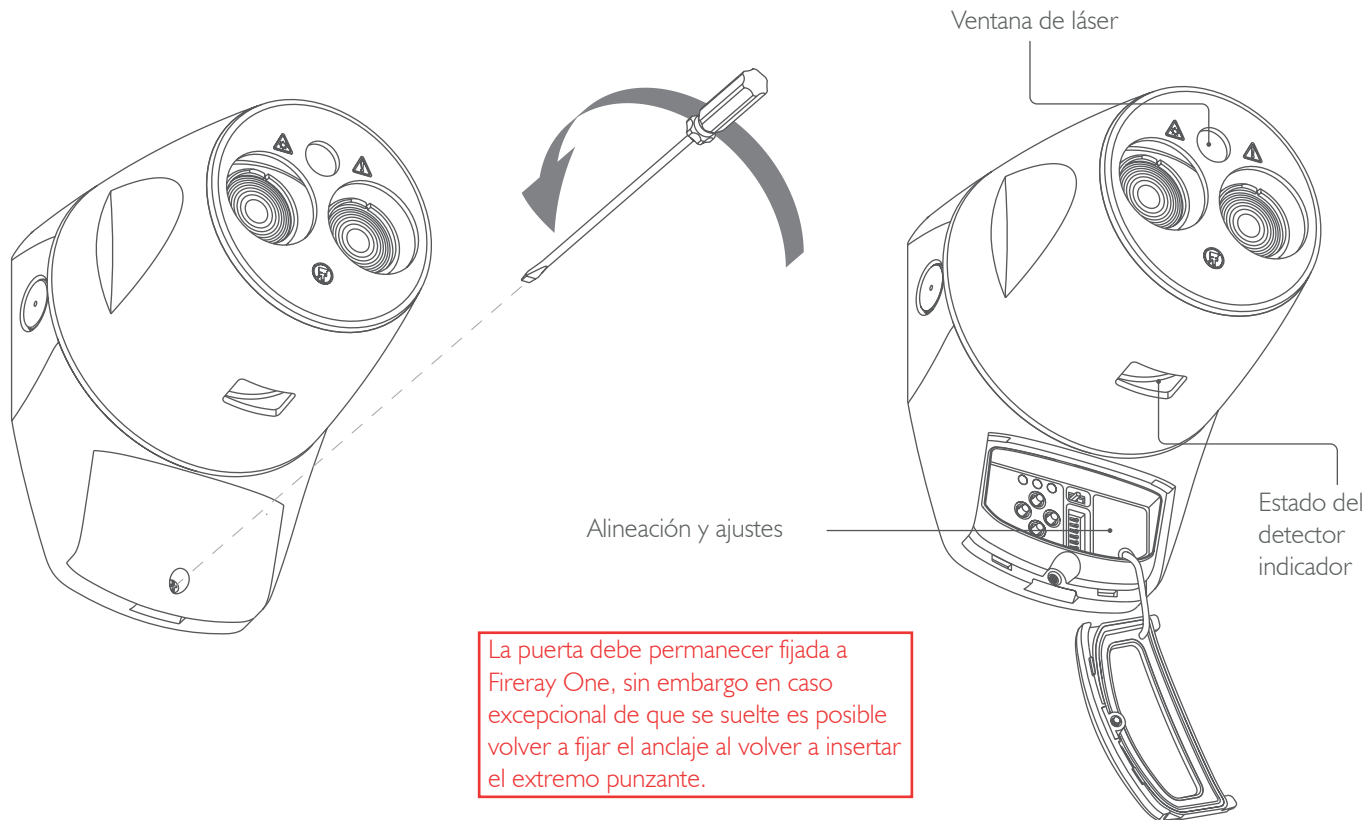




Asegúrese de que las partes saliente y hendidura están alineadas

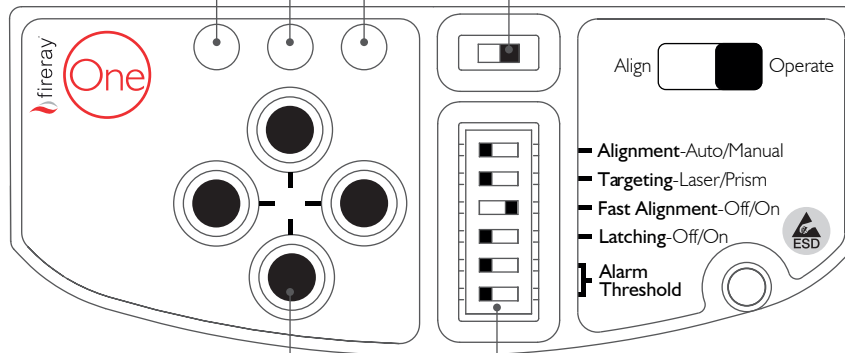
## Alineación

Acceda a la interfaz de usuario



Indicadores de estado de alineación

Interruptor deslizante



Teclas de dirección

Interruptor de ajustes

# Alineación

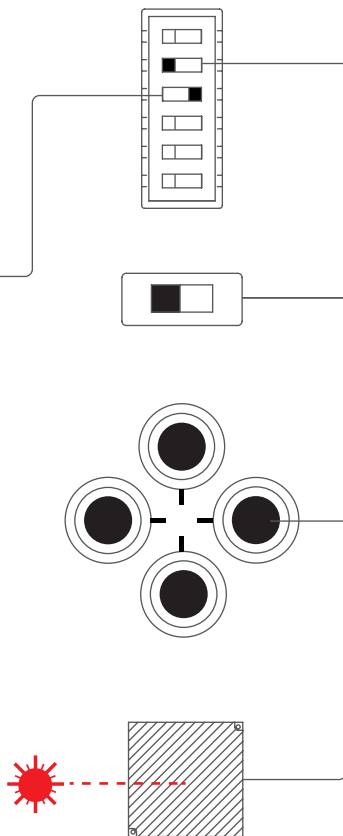
Fireray One se alineará en menos de un minuto si selecciona el modo de alineación rápida. En este modo el consumo de corriente durante la alineación será 33 mA (volverá a 5 mA una vez completada la alineación).

Para seleccionar el modo de alineación rápida, asegúrese de que el interruptor de ajuste de alineación está en posición derecha

En caso de que sea necesario un consumo menor durante la alineación, asegúrese de que el interruptor de ajuste de alineación rápida está en posición Off (apagado), el consumo permanecerá en 5 mA pero la alineación puede durar hasta 15 minutos.



RADIACIÓN LÁSER - EVITAR EXPOSICIÓN DIRECTA A LOS OJOS  
POTENCIA DE SALIDA < 5 mW LÁSER CLASE IIIa  
Longitud de onda 630 - 680 nm



Etapa 1 (objetivo) es el proceso de uso del láser para acercar el haz de infrarrojos lo suficiente al reflector de modo que se pueda iniciar la alineación.

Asegúrese de que el interruptor de ajuste de objetivo está en posición izquierda.

Mueva el interruptor deslizante a la posición izquierda para encender el láser.

Utilice las teclas de dirección para mover el punto de láser al reflector.

Si no puede ver el láser, por ejemplo en ambientes muy luminosos o con distancias largas, entonces puede utilizar el modo objetivo prisma, consulte la siguiente página.

Una vez completado el objetivo, pase a la Etapa 2.

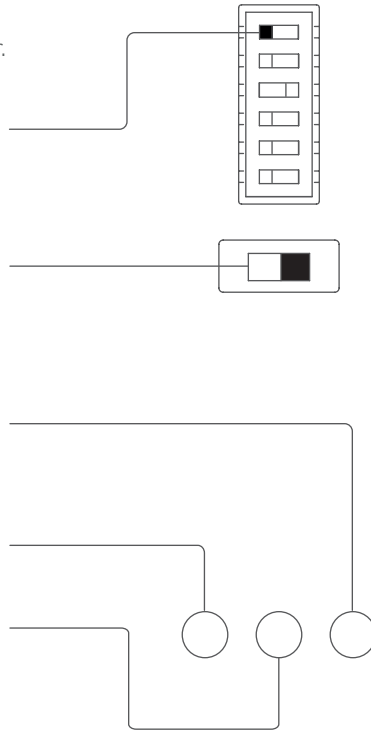
La etapa 2 (alineación) mueve el haz de infrarrojos exactamente a la mitad del reflector.

Asegúrese de que el interruptor de ajuste de alineación está en posición izquierda para seleccionar la alineación automática.

Mueva el interruptor deslizante a la posición derecha para comenzar con la alineación automática.

Las luces LED de estado de alineación parpadearán para mostrar el progreso:

- La luz LED derecha verde parpadeará de forma continua durante la alineación para indicar que se está realizando
- La luz LED izquierda verde parpadea para indicar en qué etapa (de 1 a 4) está el proceso.
- En caso de que por cualquier razón la alineación falla la luz LED ámbar parpadeará y el número de veces que parpadee indica qué etapa de alineación ha fallado.



En caso de que la alineación falle, asegúrese de que se ha instalado el número correcto de reflectores, se ha dejado el espacio correcto y de que no hay superficies reflectantes alrededor del reflector o cerca de la trayectoria del haz e intente realizar la alineación otra vez. En caso de que la alineación falle repetidamente es posible realizar una alineación manual.

Una vez completada con éxito la alineación, la luz LED derecha verde parpadeará durante 10 segundos.

Los relés de fuego y fallo pasarán a estado normal y el indicador de estado verde del detector parpadeará cada 10 segundos.

Ya está todo listo para seleccionar el modo de umbrales y enclavado de alarma y para probar el detector para asegurar que funciona y está conectado correctamente al panel de control de incendios.

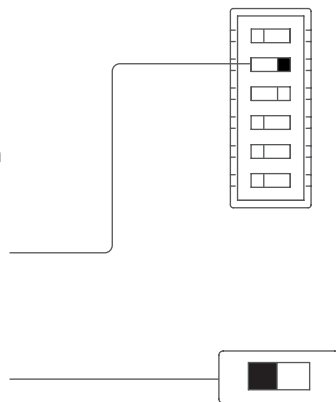
## Objetivo prisma

El objetivo prisma solo se debe utilizar cuando el láser no se puede ver, por ejemplo en condiciones de luz ambiente muy intensa o en distancias largas.

Asegúrese de que el interruptor de ajuste de objetivo está en posición derecha.

Mueva el interruptor deslizante a la posición izquierda. Las luces LED verde y ámbar parpadearán a la vez durante varios segundos para mostrar que el detector ha iniciado el objetivo prisma.

Si la luz LED verde sigue iluminada significa que el detector está recibiendo suficiente luz del reflector. Cubra el reflector, si la luz LED verde se apaga significa que el detector está recibiendo la luz que emite el reflector y ya puede proceder a la etapa de alineación. Si la luz LED verde sigue iluminada aún cuando cubra el reflector, significa que la luz que recibe el detector se está reflejando por algún otro objeto en la trayectoria del haz o cerca de ella. Asegure cuidadosamente que no haya objetos reflectantes en una distancia de 0,5 m del centro de la trayectoria del haz y pruebe a realizar otra vez el objetivo prisma.



La luz LED ámbar parpadeará cada dos segundos si el detector no está recibiendo suficiente luz del reflector. El número de parpadeos indica la intensidad de la señal que está recibiendo. Con la ayuda de los botones de dirección, mueva el detector en un eje hasta que los parpadeos de la luz ámbar incrementen su frecuencia. Si el número de parpadeos no varía, continúe en la misma dirección. Si el número de parpadeos disminuye, siga en la dirección opuesta. Una vez comience a aumentar el número de parpadeos, continúe hasta que ocurra uno de los siguientes eventos:

- La luz LED verde se enciende y en este momento debe cubrir el reflector tal y como se ha descrito anteriormente
- La luz ámbar vuelve a disminuir su frecuencia de parpadeo, en cuyo caso debe invertir la dirección 2 pasos y realizar el mismo proceso en el otro eje

Si el objetivo prisma se ha realizado en ambos ejes y la luz LED verde sigue sin encenderse, asegúrese de que se utiliza el número correcto de reflectores para el rango, de que la distancia no supera el máximo (120 m/394 ft) y de que el reflector y el detector están en posiciones paralelas uno respecto al otro.

---

## Alineación manual

La alineación manual se debe utilizar solamente si falla la alineación automática incluso después de que se haya verificado que el número de reflectores instalados es correcto y que se ha respetado el espacio alrededor de la trayectoria del haz.

Realice el objetivo tal y como se describe previamente

Asegúrese de que el interruptor de ajuste I está en la posición derecha y mueva el interruptor deslizante a la posición derecha

Las luces LED verde y ámbar deben parpadear si el detector necesita realizar un ajuste de potencia inicial

Una vez las luces LED hayan dejado de parpadear, utilice los botones de dirección para mover el detector en el eje vertical. Primero utilice el botón de dirección en la dirección hacia abajo. Pulse el botón una vez y espere a ver lo que muestra el indicador LED. Si tanto la luz LED verde como ámbar parpadean, la señal no ha cambiado por tanto no es necesario realizar más movimientos en este eje.

En caso de que la luz LED ámbar parpadee, la señal es más débil y el detector se está alejando del reflector. El siguiente movimiento, por tanto, debe ser en la dirección opuesta. Con la ayuda de los botones de dirección vuelva a mover el detector, esta vez la luz verde debe parpadear.

En caso de que la luz LED verde parpadee, la señal es más intensa y el detector se está acercando al reflector. El siguiente movimiento, por tanto, debe ser en la misma dirección. Siga moviendo el detector y espere la señal de parpadeo de la luz LED cada vez. Si la luz LED verde sigue parpadeado, siga en la misma dirección. Si las luces LED ámbar y verde parpadean, pase a moverlo en el otro eje. Si parpadea la luz LED, mueva otra vez en la dirección opuesta una vez, después mueva en el otro eje.

Siga este mismo proceso con los botones de dirección, esta vez en el eje horizontal. Comience moviendo en la dirección izquierda y siga los mismos parpadeos de luces LED que se describen para el eje vertical.

Una vez completada la alineación en los ambos ejes, mueva el interruptor de ajuste I a la posición izquierda. La luz LED verde derecha parpadeará durante 10 segundos, los relés de fuego y fallo pasarán a estado normal y el indicador de estado verde del detector parpadeará cada 10 segundos.

Ya está todo listo para seleccionar el modo de umbrales y enclavado de alarma y para probar el detector para asegurar que funciona y está conectado correctamente al panel de control de incendios.

## Umbral de fuego

Umbral	INT5	INT6
25 %	On	On
35 %	Off	Off
55 %	On	Off
85 %	Off	On

**Selección de umbral EN54-12:** Solo los umbrales de 25 % y 35 % son aprobados. Ambos son aptos para separaciones de 5 a 120 m.

**Selección de umbral UL268:** Seleccione el umbral correcto para la distancia instalada:

Separación entre detector y reflector	Umbrales aceptables de alarma
<25 ft (<7,5 m)	25 %
25 – 55 ft (7,5 – 16,5 m)	25 %, 35 %
55 – 110 ft (16,5 – 33,5 m)	35 %, 55 %
110 – 175 ft (33,5 – 53 m)	55 %, 85 %
175 – 394 ft (53 – 120 m)	85 %

## Prueba de aceptación de sensibilidad

### UL

La alineación correcta del detector comprobará el funcionamiento correcto del detector y su nivel de sensibilidad.

## Modo enclavado

El estado de fuego se despejará automáticamente una vez la intensidad de la señal se haya recuperado a menos que se haya seleccionado el modo enclavado. Para seleccionar el modo enclavado mueva el interruptor de modo enclavado a la posición de encendido (On).

## Rearme externo

Si el modo enclavado está seleccionado, entonces para despejar una condición de fuego retire la alimentación durante más de 10 segundos o aplique un voltaje de más de 5 V al rearme externo durante más de 2 segundos.



# Indicadores de estado y resolución de problemas

---

## Indicadores de estado

Durante el funcionamiento normal el indicador LED de estado del detector parpadeará en verde cada 10 segundos y ambos relés de fuego y fallo estarán en su posición normal.

Si el detector está en estado de fallo, su luz LED parpadeará en ámbar cada 10 segundos para indicar fallo de señal demasiado alta/baja, cada 5 segundos para indicar fallo de AGC/compensación y cada 3 segundos para indicar fallo interno. El relé de fallo cambiará de estado.

Si el detector está en estado de fuego, su luz LED parpadeará en rojo cada 10 segundos y el relé de fuego cambiará de estado.

## Limpieza

El detector compensará de forma automática la acumulación de polvo al cambiar su nivel de AGC. Una vez se haya alcanzado el límite AGC el detector indicará fallo y se deberá realizar una limpieza.

Por tanto se recomienda que las ventanas de lentes del detector y del reflector se limpien de forma periódica con un paño suave y sin pelusas para evitar que ocurran fallos de límite de AGC.

Después de la limpieza, si el detector está en estado de fallo, la intensidad de señal puede haber aumentado por encima del umbral de señal demasiado alta. Si este es el caso, vuelva a alinear el detector.

## Pruebas

Después de la instalación o la limpieza, se recomienda realizar una prueba de fuego y fallo.

Prueba de fuego: Cubra el reflector despacio de modo que tarde más de 5 segundos en cubrirse. El detector indicará fuego tras 10 segundos.

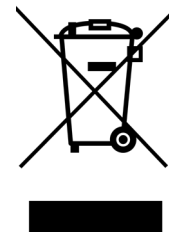
Prueba de fallo: Cubra el reflector completamente en un plazo de 2 segundos. El detector indicará fallo tras 10 segundos.

## Información técnica

Parámetros de Fireray One	Mínimo	Típico	Máximo	Unidad
Tensión de funcionamiento	14	-	36	V
Corriente de funcionamiento	4,5	5,0	5,5	mA
Corriente de funcionamiento: modos de alineación	31	33	35	mA
Umbral de respuesta (25 %, 35 %, 55 %, 85 %)	1,25	1,87	8,24	dB
(atención: solo el 25 % y 35 % son aprobados por EN54-12)	25	35	85	%
Retardo a alarma	-	10	-	s
Retardo a fallo	-	10	-	s
Distancia de funcionamiento (separación entre detector y reflector) (son necesarios 4 reflectores para >50 m, >164 ft)	5	-	120	m
	16	-	394	pies
Umbral de fallo de oscurecimiento rápido	-	85	-	%
Alineación angular máxima del detector	-	-	±4,5	grados
Tolerancia de desalineación de haz (según EN54-12): detector	-	±0,5	-	grados
Tolerancia de desalineación de haz (según EN54-12): reflector	-	±5	-	grados
Longitud de onda óptica	-	850	-	nm
Temperatura de funcionamiento	-20	-	+55	°C
	-4	-	+131	°F
Temperatura de almacenamiento	-40	-	+85	°C
	-40	-	+185	°F
Humedad relativa (sin condensación)	-	-	93	% HR
Clasificación IP	-	55	-	-
Relés de fuego y fallo (VFCO, resistente): voltaje de contacto	-	-	30	V CC
Relés de fuego y fallo (VFCO, resistente): corriente de contacto	-	-	2	A
Tamaño del cable	22	-	14	AWG
	0,5	-	1,6	mm
Clasificación de inflamabilidad de la carcasa	-	UL940 V0	-	-

Dimensiones y peso de Fireray One	Anchura (mm)	Altura (mm)	Profundidad (mm)	Peso (kg)
Detector reflectante, incluida la base inteligente	134	182	151	0,7
Reflector	100	100	10	0,1

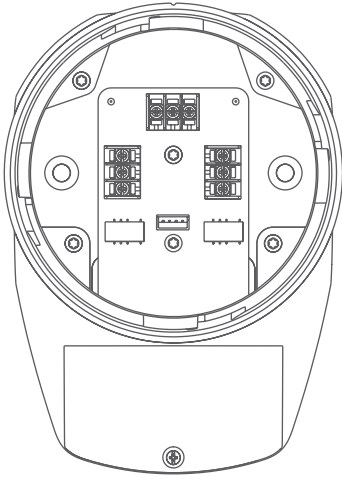
## Desecho del equipo



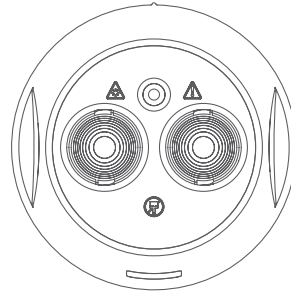
Los productos marcados con este símbolo no se puede desechar como desecho municipal sin clasificar en la Unión Europea. Devuelva este producto a su distribuidor local tras la compra de equipo nuevo equivalente para su reciclado apropiado o deséchelo en los puntos de recogida designados. Para más información consulte: [www.recyclethis.info](http://www.recyclethis.info).



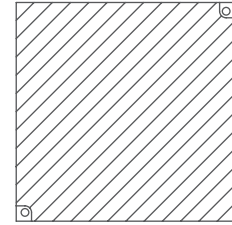
## Dans la boîte



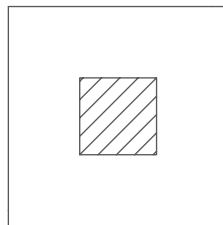
① Socle Fireray One



② Tête de détecteur Fireray One



③ Réflecteur



Masque courte portée

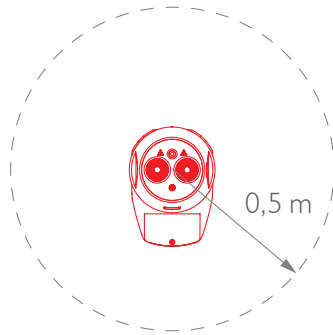


Guide de l'utilisateur

# Informations d'ordre général

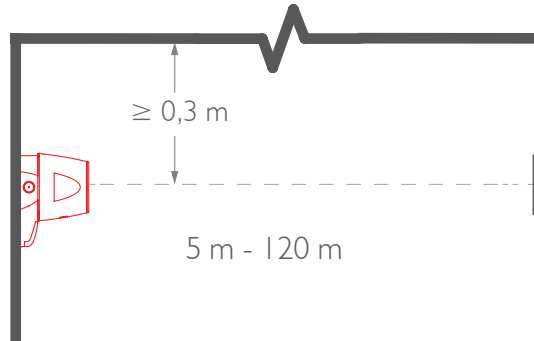
## Installation

Toutes les installations doivent être conformes à la réglementation locale.



NE PAS installer le détecteur à un endroit où le faisceau est susceptible d'être coupé par des objets ou des personnes.

NE PAS installer le détecteur ou le réflecteur dans des endroits susceptibles d'être sujets à la condensation ou au gel, à moins que des mesures préventives n'aient été prises.



Positionnez le faisceau le plus haut possible, mais à une distance minimale de 0,3 m entre le détecteur et le réflecteur, jusqu'au plafond.

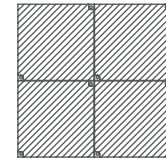
Concernant les détecteurs homologués UL268, Cf. NFPA72 pour découvrir le guide d'installation. Dans ce type d'installations, il est conseillé que la distance maximale du détecteur et du réflecteur au plafond, corresponde à 10 % de la distance entre le sol et le plafond



5 - 20 m =  
1 réflecteur + masque courte portée



20 à 50 m = 1 réflecteur



50 à 120 m = 4 réflecteurs

S'assurer que le réflecteur sélectionné corresponde à la bonne distance

Monter le détecteur et le réflecteur l'un en face de l'autre.

Ne pas monter un Réflecteur sur des surfaces réfléchissantes

# Câblage

Le Fireray One contient un logiciel qui traite les signaux en sortie du détecteur, et déclenche un signal d'incendie et de panne. Cet signal est transmis à l'aide de relais sans potentiel, afin de pouvoir être mis en interface avec tous les types de centrales d'alarme incendie conventionnelles (FCP). Pour raccorder un seul détecteur à une FCP, utiliser le schéma de câblage suivant.

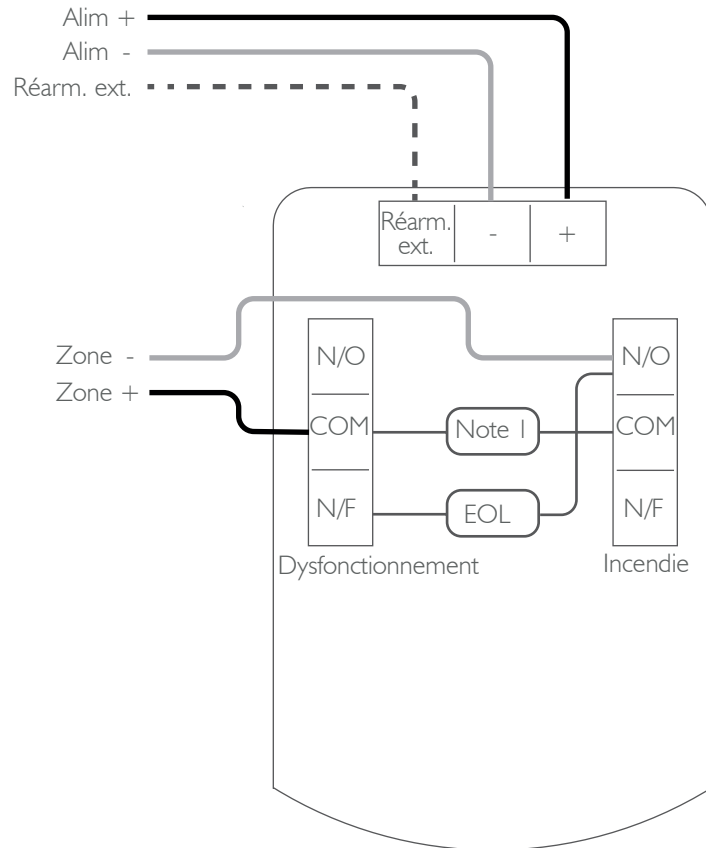
Pièces non fournies :

1. Résistance Incendie (**Note I**) – la valeur est indiquée par le fabricant des FCP.  
Concernant les installations aux États-Unis, il s'agit normalement d'un court-circuit.
2. Composant de fin de ligne (« **EOL** ») fourni par le fabricant des FCP.

Après installation, vérifier le fonctionnement des branchements Incendie et Panne à la FCP – voir page 15.

Faire circuler une tension de 5 à 40 V au niveau du contact « ExtReset » (Réarmement externe) pendant au moins 2 secondes pour faire disparaître un signal d'Incendie verrouillé – CF. page 14 pour découvrir les réglages du mode Verrouillage (Latching).

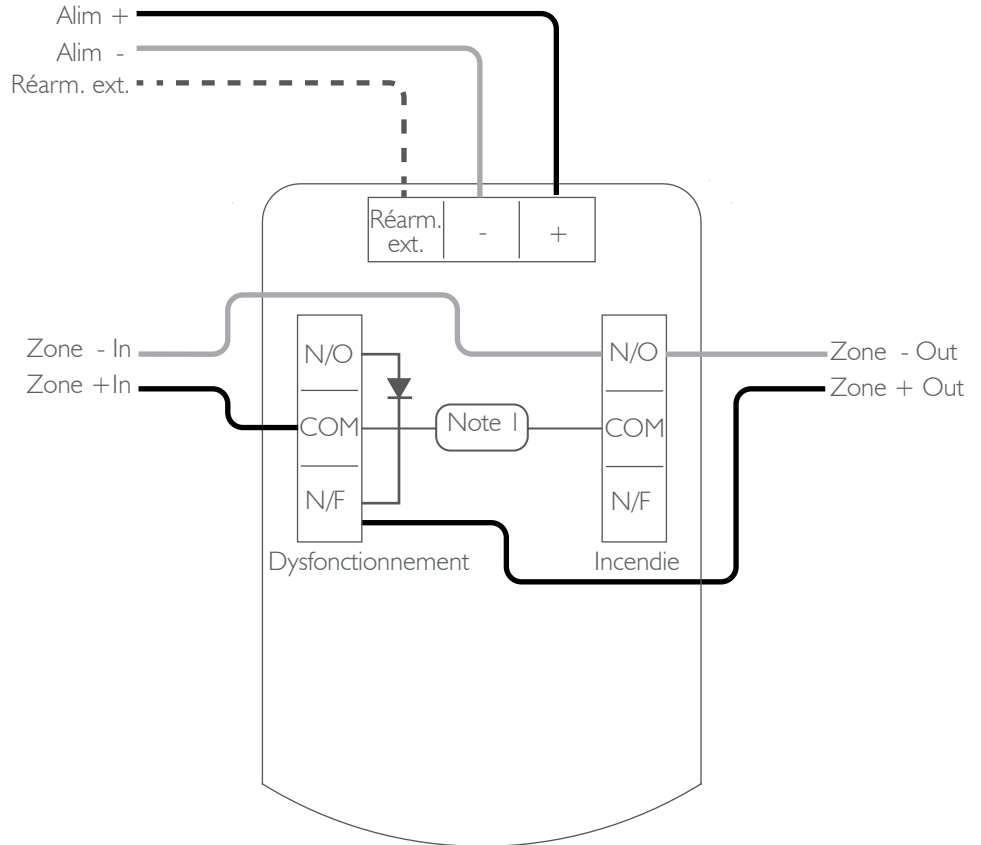
**ATTENTION :** Lors de la surveillance du système, ne pas enrouler le fil en boucle sous les bornes. Séparer le fil pour s'assurer de la surveillance des branchements.



Lorsque vous utilisez plus d'un détecteur dans une seule zone d'une FCP conventionnelle, il est important de choisir la bonne méthode de câblage. Un mauvais câblage peut amener un Détecteur à isoler les appareils ultérieurs dans cette zone, s'il tombe en panne, et peut empêcher ces appareils d'envoyer un signal d'incendie à la FCP.

Si le FCP surveille l'élimination de détecteurs par endroits, il est possible d'utiliser les schémas de câblage suivants, qui utilisent des diodes pour garantir la continuité dans la zone, dans le cas de dysfonctionnements d'un détecteur.

Type de diode recommandé : Schottky, 60 Volt, 1 Amp ; doivent être listée UL pour satisfaire aux installations satisfaisant à la norme NFPA72.



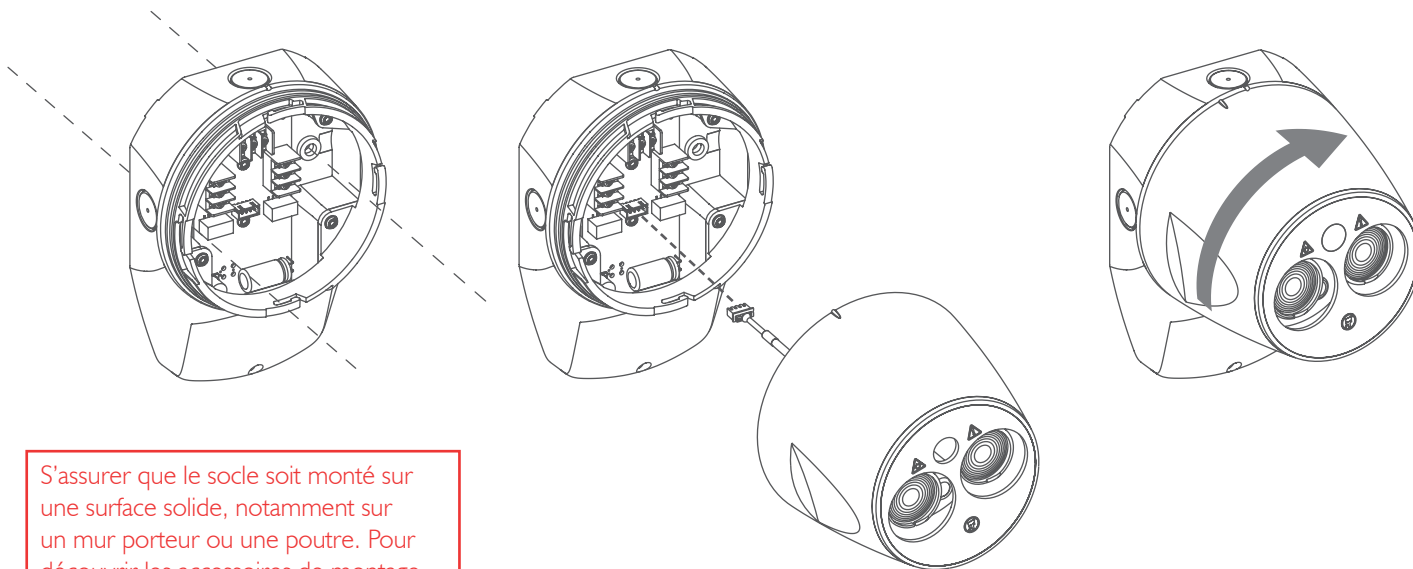
# Montage

## Installer le socle

Marquer l'emplacement prévu des trous et percer des trous de montage du socle. En utilisant le bon matériel (non fourni), fixer solidement le socle dans le sens indiqué.

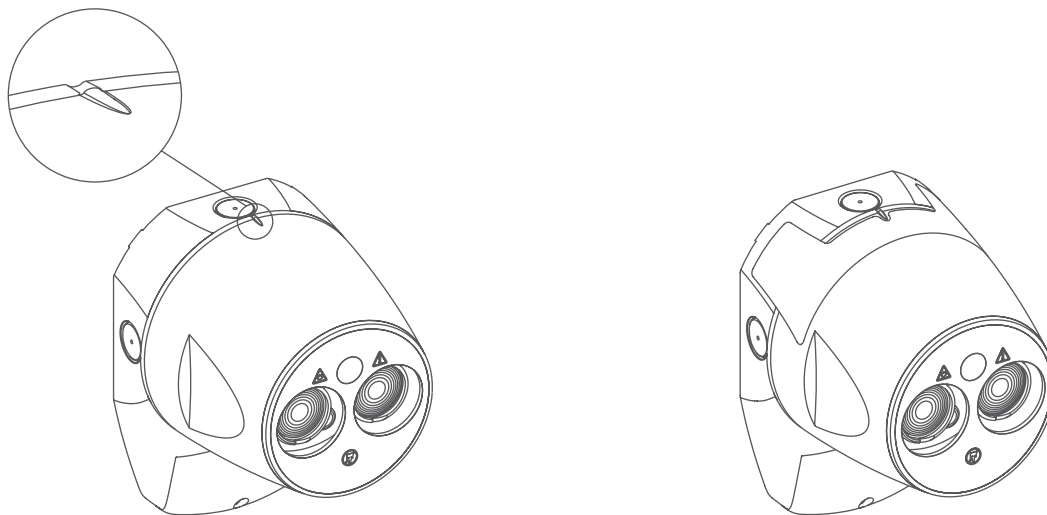
Branchez le fil de la tête du détecteur dans la fiche de la carte de circuit intégré, se trouvant sur le socle.

Positionner la tête du détecteur sur le socle. Saisir les côtés de la tête du détecteur et les tourner dans le sens des aiguilles d'une montre, pour les enclencher.



S'assurer que le socle soit monté sur une surface solide, notamment sur un mur porteur ou une poutre. Pour découvrir les accessoires de montage, veuillez consulter notre site Internet

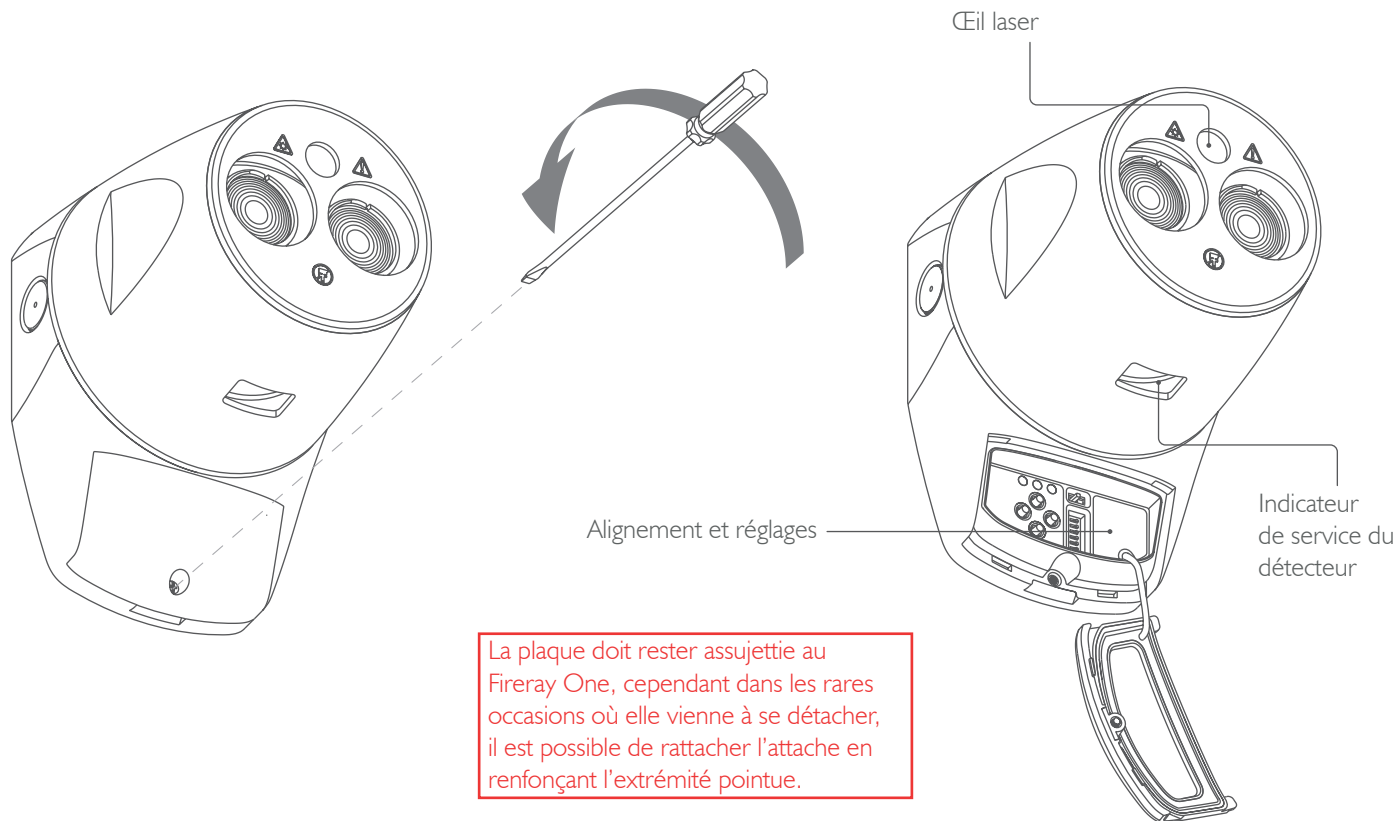


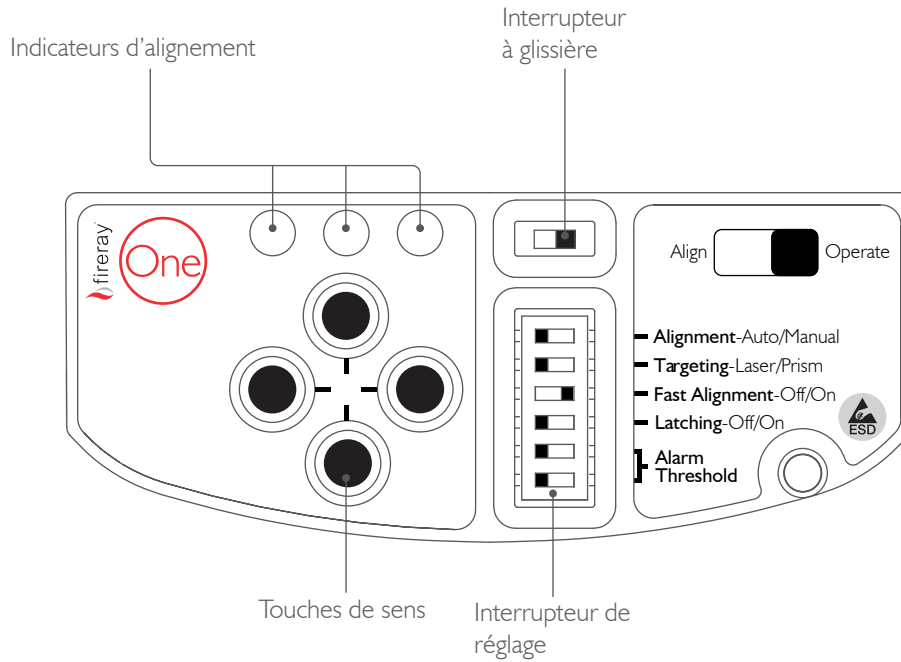


S'assurer que les  
deux marques s'alignent

# Alignement

Trouver l'interface utilisateur





# Alignement

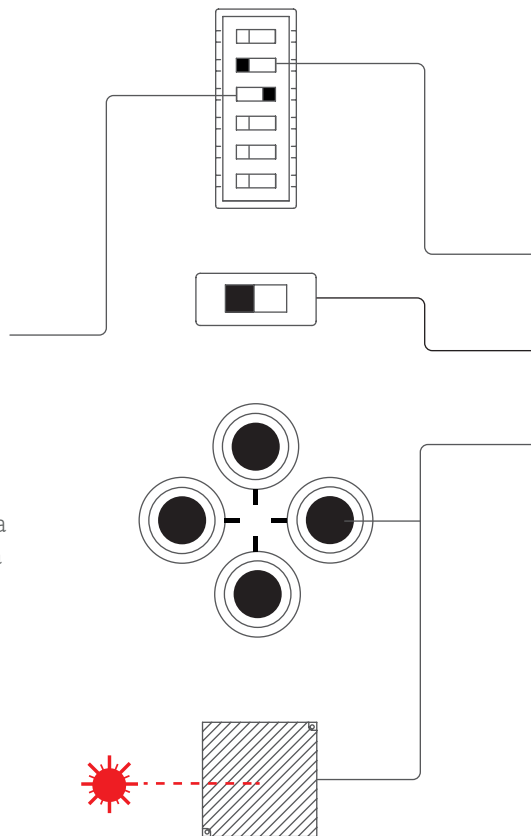
Le Fireray One s'alignera en moins d'une minute si Fast Alignment (alignement rapide) est sélectionné. Dans ce mode, la consommation de courant pendant l'alignement sera de 33 mA (elle reviendra à 5 mA lorsque l'alignement sera terminé).

Pour sélectionner le mode d'alignement rapide, s'assurer que l'interrupteur de réglage de l'alignement est sur la position droite

Si une consommation plus faible pendant l'alignement est requise, s'assurer que l'interrupteur de réglage d'alignement rapide soit sur Off (coupé) – la consommation restera à 5 mA mais l'alignement peut prendre jusqu'à 15 minutes.



RAYON LASER – ÉVITER  
TOUT RAYON  
DIRECTEMENT DANS LES  
YEUX PUISSANCE EN  
SORTIE <5 mW LASER DE  
CATÉGORIE IIIa  
Longueur d'onde 630 à 680 nm



Le niveau 1 (Ciblage) consiste à utiliser le laser pour que le faisceau infrarouge soit suffisamment proche du réflecteur, pour que l'alignement puisse commencer.

S'assurer que l'interrupteur de réglage du ciblage soit sur la position gauche

Pour allumer le laser, mettre l'interrupteur à glissière sur la gauche.

Utilisez les touches de sens pour déplacer le point laser sur le réflecteur.

Si le laser ne peut pas être vu, par exemple dans des endroits très lumineux ou sur de longues distances, le mode Prism Targeting peut être utilisé – reportez-vous à la page suivante.

Une fois le ciblage terminé, passer à l'étape 2.

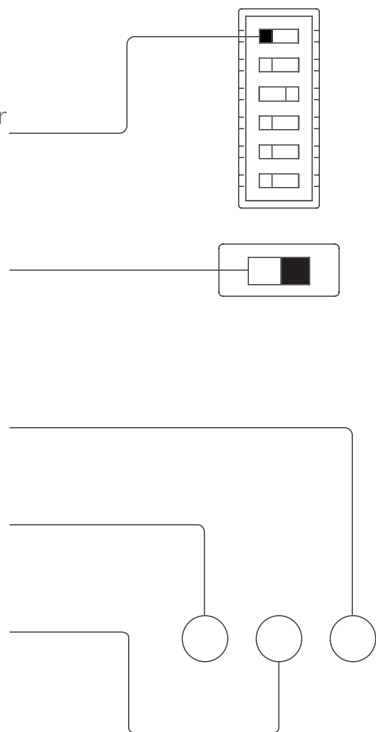
L'étape 2 (Alignement) déplace le faisceau infrarouge exactement au milieu du réflecteur.

Pour choisir l'alignement automatique, s'assurer que l'interrupteur de réglage du ciblage soit à gauche

Pour commencer à aligner automatiquement, mettre l'interrupteur à glissière sur la droite.

Les voyants d'alignement clignotent pour indiquer l'avancement :

- La LED verte de droite clignotera continuellement pendant tout l'alignement pour indiquer que l'alignement est en cours
- La LED verte de gauche clignote pour indiquer à quelle étape (1 à 4) en est la procédure.
- Si pour une raison quelconque, l'alignement ne se fait pas, la LED orange clignotera, et le nombre de fois qu'elle clignote indique quelle étape de l'alignement ne s'est pas bien passée.



Si l'alignement ne se fait pas, assurez-vous que le nombre correct de réflecteurs soit installé, que le jeu correct ait été laissé, et qu'il n'y ait pas de surfaces réfléchissantes autour du réflecteur ou à proximité du faisceau, et essayez à nouveau d'aligner.

Si l'alignement ne peut se faire plusieurs fois de suite, il est possible d'aligner manuellement.

Une fois l'alignement terminé, le voyant vert de droite clignote pendant 10 secondes.

Les relais Fire (incendie) et Fault (panne, problème) passeront en mode normal, et le détecteur fera clignoter son indicateur de mode de service en vert toutes les 10 secondes.

Vous êtes maintenant prêt à sélectionner les seuils d'alarme et le mode de verrouillage (Latching), et à tester le détecteur pour vous assurer qu'il fonctionne correctement et qu'il soit branché à la centrale d'alarme incendie.

# Alignement

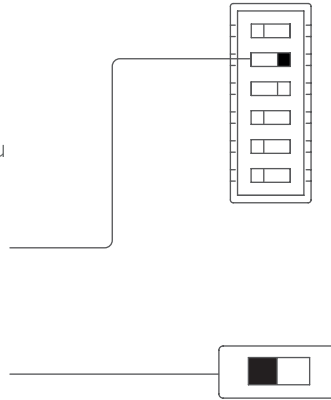
## Ciblage Prism

Le ciblage Prism ne doit être utilisé que lorsque le laser ne peut pas être vu, par exemple lorsque l'éclairage ambiant est très lumineux, ou sur de très longues distances.

S'assurer que l'interrupteur de réglage du ciblage soit sur la droite.

Mettre l'interrupteur à glissière sur la gauche. Les DEL verte et orange clignotent toutes les deux pendant quelques secondes, pour indiquer que le détecteur a commencé le ciblage Prism.

Si la LED verte reste allumée, le détecteur reçoit suffisamment de lumière en provenance du réflecteur. Couvrir le réflecteur – si la LED verte s'éteint, alors la lumière reçue par le détecteur provient du réflecteur, et vous pouvez maintenant passer à l'étape Alignement. Si la LED verte reste allumée lorsque le réflecteur est couvert, alors la lumière reçue par le détecteur est réfléchiée par un autre objet, dans ou autour du faisceau. Veiller à ce qu'il n'y ait pas d'objets réfléchissants à moins de 0,5 m du milieu du faisceau, et essayer de nouveau le ciblage Prism.



La LED orange clignote toutes les deux secondes si le détecteur ne reçoit pas suffisamment de lumière en provenance du réflecteur. Le nombre de clignotements indique l'intensité du signal reçu. À l'aide des boutons de direction, déplacer le détecteur dans un axe, jusqu'à ce que les clignotements orange augmentent. Si le nombre de clignotements reste le même, continuer dans le même sens. Si le nombre diminue, inverser le sens. Une fois que le nombre de clignotements commence à augmenter, continuer jusqu'à ce que :

- La LED verte s'allume, et, à ce moment-là, couvrir le réflecteur comme décrit ci-dessus
- Les clignotements oranges commencent à diminuer à nouveau, et, à ce moment-là, inverser le sens pendant 2 étapes et suivre la même procédure dans l'autre axe

Si le ciblage Prism a été effectué sur les deux axes, et que la LED verte n'est toujours pas allumée, s'assurer que le nombre correct de réflecteurs ait été utilisé, que la distance n'ait pas dépassé le maximum (120 m / 394 ft) et que le réflecteur et le détecteur soient parallèles l'un à l'autre.

---

## Alignement manuel

Il ne faut aligner manuellement que lorsque l'alignement automatique ne s'est pas bien passé, même après avoir vérifié que le nombre correct de réflecteurs ait été installé, et que le jeu autour du faisceau est correct.

Effectuer le ciblage comme décrit précédemment

S'assurer que l'interrupteur de réglage I soit sur la droite, et mettre l'interrupteur à glissière sur la droite

Les DEL verte et orange peuvent clignoter si le détecteur doit commencer par régler la puissance

Une fois que les LED ont cessé de clignoter, utiliser les boutons de direction pour déplacer le détecteur sur l'axe Haut-Bas. Commencer par utiliser le bouton de direction dans le sens descendant. Appuyer une fois sur le bouton et attendre pour voir ce que donne l'indication LED. Si les deux LED orange et vert clignotent, le signal n'a pas changé, et aucun autre déplacement sur cet axe n'est nécessaire.

Si la LED orange clignote, le signal est moins intense, et le détecteur est loin du réflecteur. Le déplacement suivant doit être dans la direction opposée. À l'aide des boutons de direction, déplacer à nouveau le détecteur – cette fois, un clignotement vert devrait apparaître.

Si la LED verte clignote, le signal est plus intense, et le détecteur se rapproche du réflecteur. Le déplacement suivant doit être dans la même direction. Continuer de déplacer le détecteur en attendant que la DEL clignote à chaque fois. Si la LED verte continue de clignoter, continuer dans la même direction. Si la LED orange et vert clignent, passer à l'autre axe. Si la LED orange clignote, revenir une fois dans le sens opposé, puis déplacer sur l'autre axe.

Suivre la même procédure avec les boutons de direction, cette fois dans l'axe gauche-droite. Commencer les déplacements vers la gauche, et suivre les mêmes clignotements de LED décrits sur l'axe Haut-Bas.

Une fois l'alignement terminé sur les deux axes, mettre l'interrupteur de réglage I sur la gauche. La LED verte droite clignotera pendant 10 s, les relais Fire (incendie) et Fault (panne, problème) passeront en mode normal, et le détecteur fera clignoter son indicateur de mode de service en vert toutes les 10 secondes.

Vous êtes maintenant prêt à sélectionner les seuils d'alarme et le mode de verrouillage (Latching), et à tester le détecteur pour vous assurer qu'il fonctionne correctement et qu'il soit branché à la centrale d'alarme incendie.

## Seuil d'incendie (Fire)

Seuil	Inter. 5	Inter. 6
25 %	Allumé	Allumé
35 %	Éteint	Éteint
55 %	Allumé	Éteint
85 %	Éteint	Allumé

### Sélection des seuils conformément à

**EN54-12** : Seuls les seuils de 25 % et 35 % sont approuvés. Les deux conviennent pour des écarts de distance de 5 m à 120 m.

### Sélection des seuils conformément à

**UL268** : Sélectionner le seuil correspondant à la distance d'installation :

Écart entre le détecteur et le réflecteur	Seuils d'alarme acceptables
< 25 ft (< 7,5 m)	25 %
25 – 55 ft (7,5 – 16,5 m)	25 %, 35 %
55 – 110ft (16,5 – 33,5m)	35 %, 55 %
110 – 175ft (33,5 – 53m)	55%, 85%
175 – 394ft (53 – 120m)	85 %

## Test d'acceptation de la sensibilité conformément à UL

Un bon alignement du détecteur permettra de vérifier le bon fonctionnement du détecteur et son niveau de sensibilité.

## Mode de verrouillage

Le mode Fire disparaît automatiquement une fois que l'intensité du signal est retrouvée, sauf si le mode de verrouillage a été sélectionné. Pour sélectionner le mode de verrouillage, mettre l'interrupteur du mode de verrouillage sur On.

## Réarmement externe

Si le mode de verrouillage est sélectionné, pour éteindre une condition d'incendie, coupez l'alimentation pendant plus de 10 secondes ou appliquez une tension supérieure à 5 V à Ext-Rst pendant plus de 2 secondes.



# Indications de modes de service et Résolution des problèmes

---

## Indications de modes de service

En fonctionnement normal, la LED de service du détecteur clignote en vert toutes les 10 secondes, et les relais Fire et Fault seront en position normale.

Si le détecteur indique une panne, sa LED clignotera de couleur ambre toutes les 10 secondes pour indiquer une panne de signal élevé/faible, toutes les 5 secondes pour indiquer une panne de compensation/AGC, et toutes les 3 secondes afin d'indiquer une panne interne. Le relai de panne changera.

Si le détecteur est en mode Fire, sa DEL clignote en rouge toutes les 10 secondes, et le relai Fire changera.

## Nettoyage

Le détecteur compense automatiquement l'accumulation de poussière en changeant son niveau AGC. Une fois la limite AGC atteinte, le détecteur indiquera une panne et le nettoyage devra être effectué.

Il est donc recommandé que les obturateurs de l'objectif du détecteur et le réflecteur soient nettoyés régulièrement avec un chiffon doux non pelucheux, pour éviter les problèmes de limite AGC.

Après le nettoyage, si le détecteur est en mode de panne, l'intensité du signal peut avoir dépassé le seuil de « Signal trop intense ». Si c'est le cas, réaligner le détecteur.

## Essai

Après installation ou nettoyage, il est recommandé d'effectuer un essai d'incendie et de panne.

Essai d'incendie : Couvrir lentement le réflecteur en prenant plus de 5 secondes. Le détecteur signalera un incendie au bout de 10 secondes.

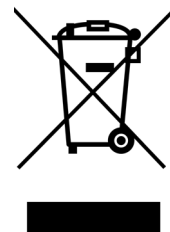
Essai de pannes : Couvrir complètement le réflecteur en l'espace de 2 secondes. Le détecteur signalera une panne au bout de 10 secondes.

## Informations d'ordre technique

Réglages du Fireray One	Minimum	Type	Maximum	Unité
Tension de service	14	-	36	V
Intensité de service	4,5	5	5,5	mA
Intensité de service - Modes d'alignement	31	33	35	mA
Seuils de réponse (25 %, 35 %, 55 %, 85 %) (note – seulement 25 % et 35 % sont approuvés conformément à EN54-12)	1,25 25	1,87 35	8,24 85	dB %
Délai d'alarme	-	10	-	s
Délai de panne	-	10	-	s
Distance de service (écart entre le détecteur et le réflecteur) (4 réflecteurs requis si > 50 m, > 164 ft)	5 16	-	120 394	m Pieds
Seuil de panne d'obscurcissement rapide	-	85	-	%
Portée de l'alignement angulaire maximal du détecteur	-	-	± 4,5	Degrés
Tolérance au désalignement du faisceau (selon EN54-12) - Détecteur	-	± 0,5	-	Degrés
Tolérance au désalignement du faisceau (selon EN54-12) - Réflecteur	-	± 5	-	Degrés
Longueur d'onde optique	-	850	-	nm
Température de service	-20 -4	-	+55 +131	°C °F
Température de stockage	-40 -40	-	+85 +185	°C °F
Humidité relative (sans condensation)	-	-	93	% H.R.
Indice de protection (IP)	-	55	-	-
Relais d'incendie et de panne (VFCO, résistif) - Tension de contact	-	-	30	V CC
Relais d'incendie et de panne (VFCO, résistif) - Intensité de contact	-	-	2	A
Section du fil	22 0,5	- -	14 1,6	AWG mm
Niveau d'inflammabilité du boîtier	-	UL940 V0	-	-

Dimensions et poids du Fireray One	Largeur (mm)	Hauteur (mm)	Profondeur (mm)	Poids (kg)
Détecteur réfléchissant, notamment le socle « intelligent »	134	182	151	0,7
Réflecteur	100	100	10	0,1

## Élimination de l'équipement

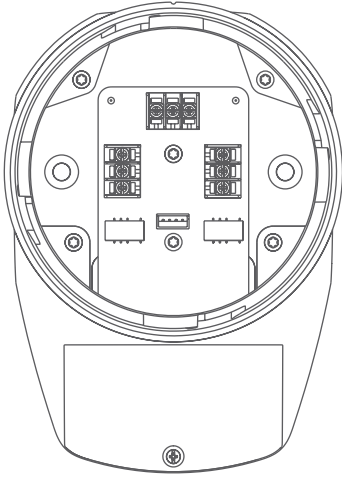


Les produits portant ce symbole ne peuvent être mis au rebut avec les déchets municipaux non triés, en Union européenne. Pour que le produit soit recyclé comme il se doit, renvoyer ce produit à votre fournisseur local lors de l'achat d'un nouvel équipement de type équivalent, ou s'en débarrasser aux points de recueils indiqués. Pour de plus amples informations, voir [www.recyclethis.info](http://www.recyclethis.info).

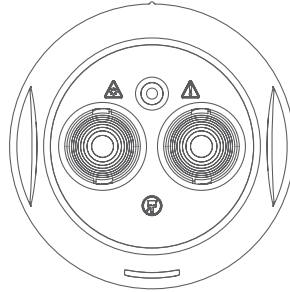


Guida per l'utente

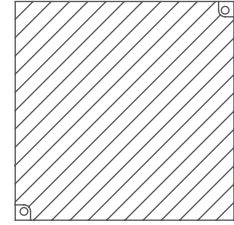
## Nel riquadro



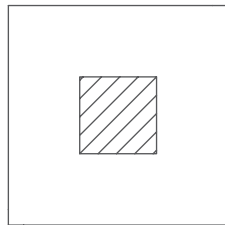
① FireRay One Base



② Testa del rilevatore FireRay One



③ Riflettore



Maschera a corto raggio

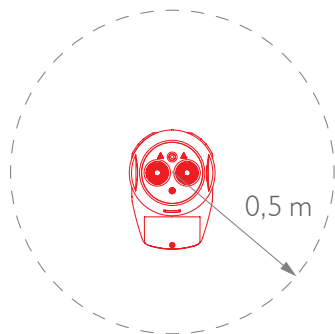


Guida per l'utente

# Informazioni generali

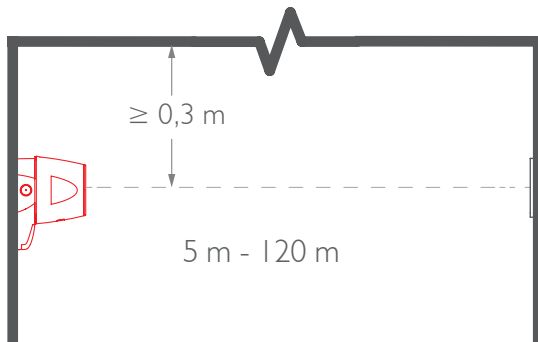
## Installazione

Tutte le installazioni devono essere conformi alle normative locali



NON posizionare il rilevatore in posizioni in cui persone o oggetti potrebbero interrompere il fascio di luce

NON installare il rilevatore o il riflettore in ambienti in cui potrebbero formarsi condensa o ghiaccio senza adottare misure preventive



Posizionare il fascio il più in alto possibile, ma con rilevatore e riflettore a una distanza minima di 0,3 m dal soffitto.

Per rilevatori approvati secondo UL268 fare riferimento a NFPA72 per la guida d'installazione. In tali installazioni, si raccomanda che la distanza massima di rilevatore e riflettore dal soffitto sia il 10% della distanza tra pavimento e soffitto

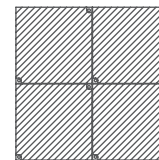


5 - 20 m =

1 riflettore + una maschera a corto raggio



20 - 50 m = 1 riflettore



50 - 120 m = 4 riflettori

Accertare che sia selezionato il riflettore corretto per la distanza idonea

Montare il rilevatore e il riflettore in posizione direttamente opposta l'uno dall'altro

Non montare il riflettore su superfici riflettenti

# Cablaggio

Fireray One contiene il software di elaborazione dell'uscita del rilevatore e genera uno stato incendio e guasto, emesso utilizzando un relè a zero volt interfacciabile con qualsiasi tipo di pannello di controllo incendio (FCP, Fire Control Panel). Per collegare un singolo rilevatore a un FCP, utilizzare il seguente diagramma di cablaggio.

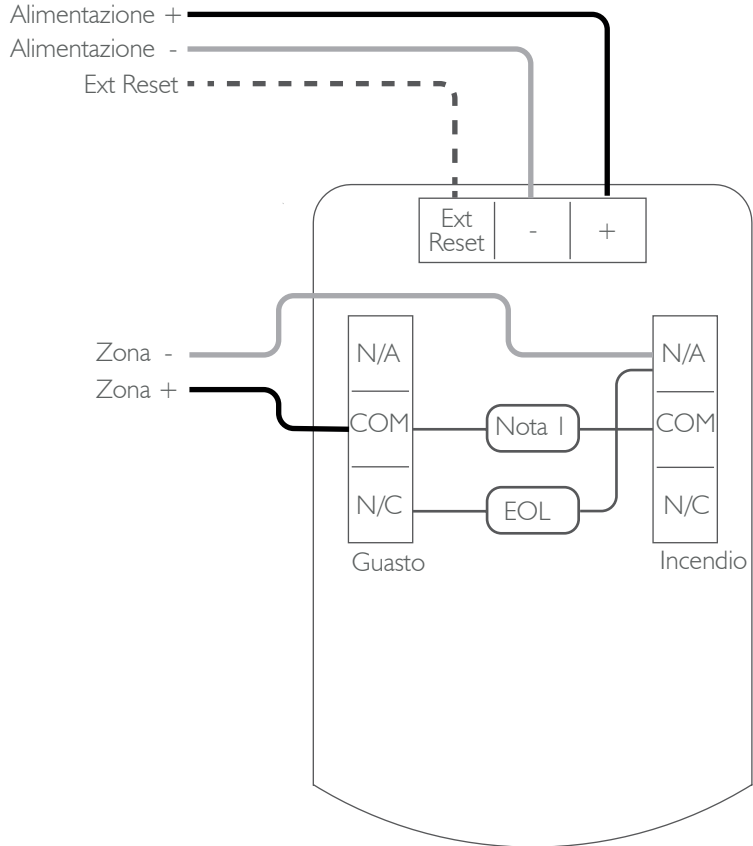
Componenti non forniti:

1. Resistenza incendio (**Nota 1**) – il valore è specificato dal produttore dell'FCP.  
In caso di installazioni negli Stati Uniti si tratta generalmente di un corto circuito.
2. Componente terminale ("**EOL**") – in dotazione del produttore dell'FCP

Dopo l'installazione, controllare il funzionamento dei collegamenti di incendio e guasto all'FCP – vedere pagina 15.

Applicare una tensione da 5V a 40V al contatto "Ext Reset" (Reset esterno) per almeno 2 secondi per eliminare un incendio memorizzato – vedere pagina 14 per l'impostazione della modalità di salvataggio.

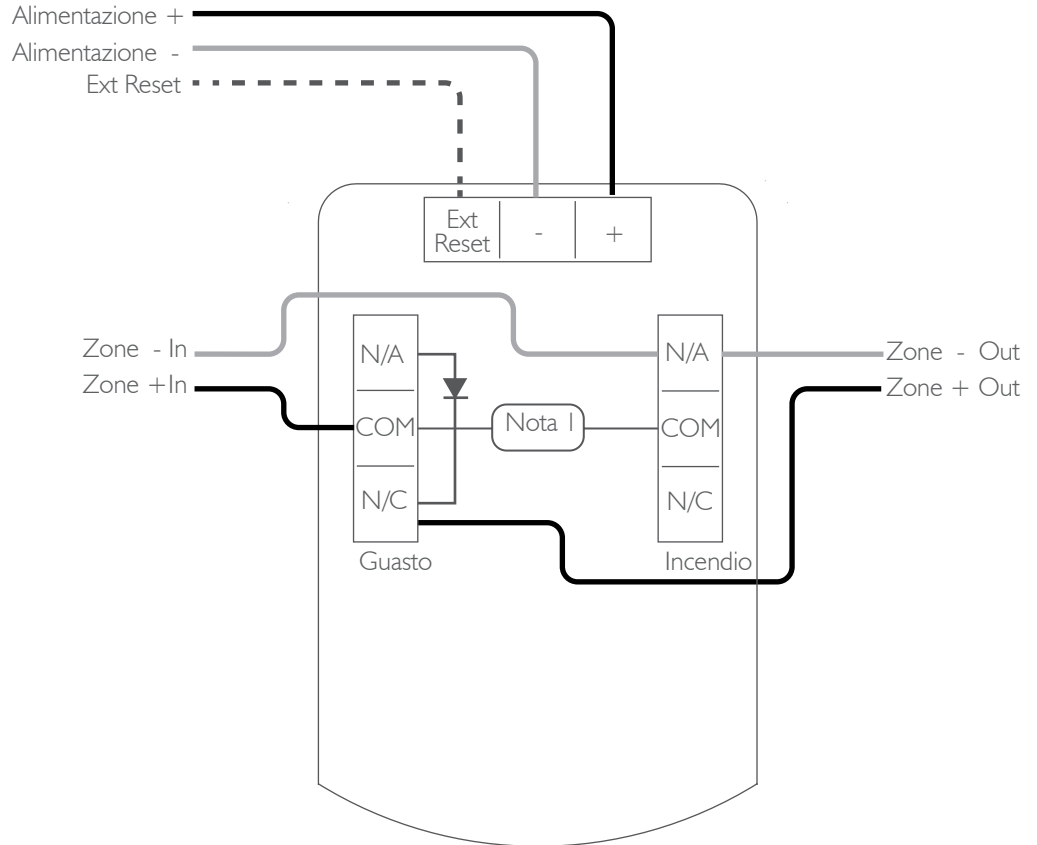
**ATTENZIONE:** per il monitoraggio dei sistemi, non utilizzare cavi arrotolati sotto i terminali. Limitare la lunghezza dei cavi per consentire il monitoraggio dei collegamenti.



Quando si usa più di un rilevatore su un'unica zona di un FCP convenzionale, è importante selezionare il metodo di cablaggio corretto. A causa del cablaggio un rilevatore può isolare i dispositivi successivi in quella zona in caso di ingresso in condizione di guasto e quindi impedire a tali dispositivi di segnalare una condizione di incendio di ritorno all'FCP.

Se l'FCP rileva la scomparsa di un rilevatore di punti è possibile utilizzare il seguente schema elettrico che prevede l'impiego di un diodo per garantire una continuità tra le zone nel caso in cui un qualsiasi rilevatore entri in uno stato di guasto.

Tipo di diodo raccomandato: Schottky, 60 Volt, 1 Amp, deve comparire negli elenchi UL per installazioni conformi a NFPA72



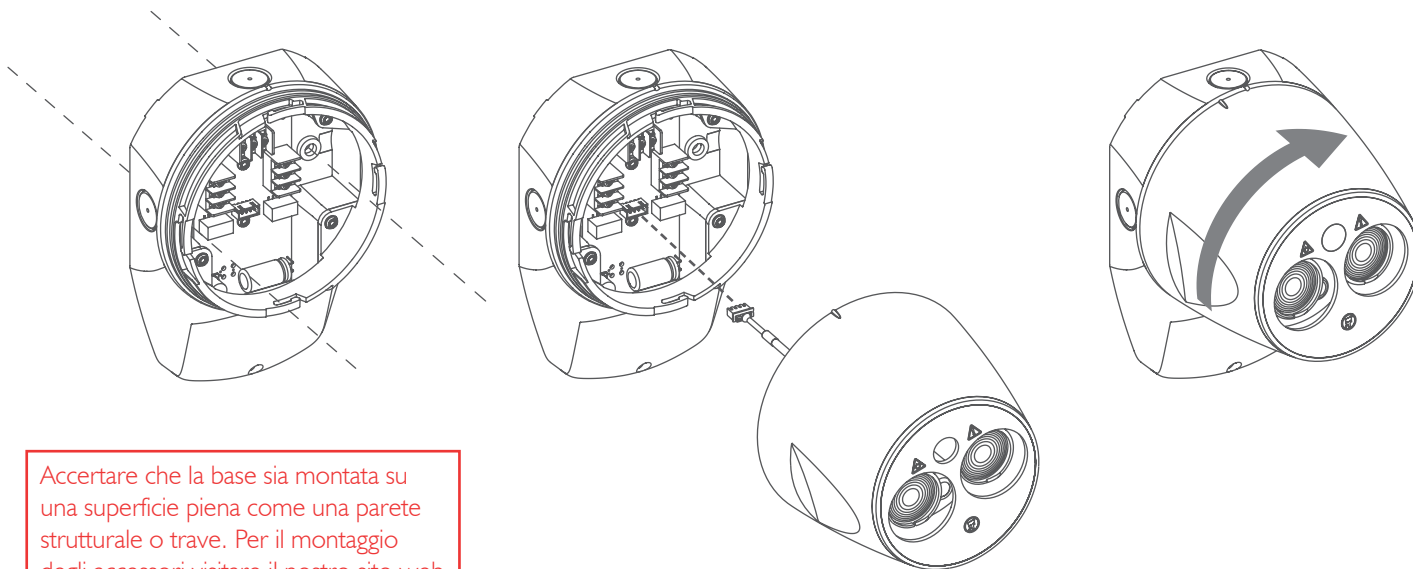
# Montaggio

## Montaggio della base

Segnare e praticare i fori per montare la base. Utilizzare la ferramenta adatta (non in dotazione) per montare la base in sicurezza secondo l'orientamento mostrato.

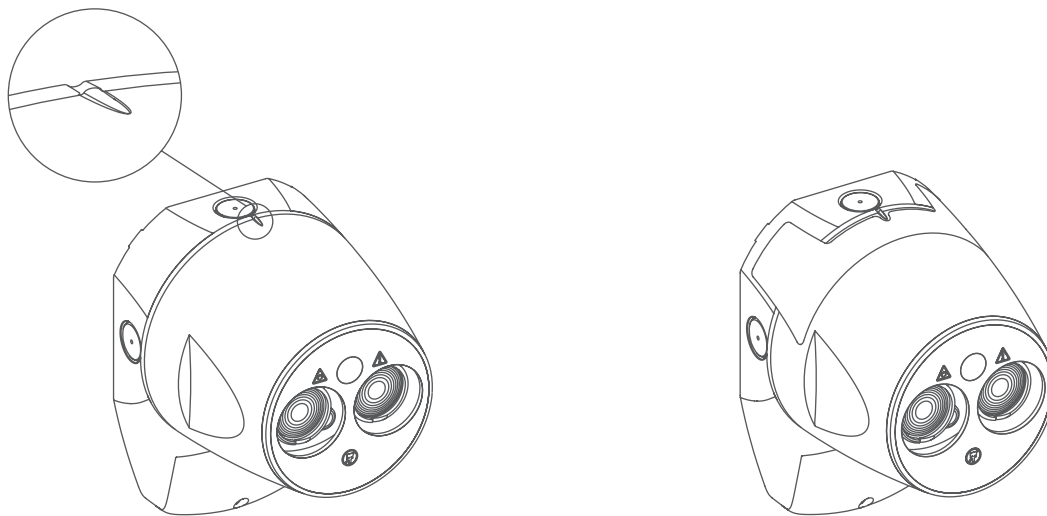
Collegare il cavo dalla testa del rilevatore al connettore sul PCB nella Base.

Posizionare la testa del rilevatore sulla base. Tenere i lati della testa del rilevatore e ruotare in senso orario per bloccarli insieme.



Accertare che la base sia montata su una superficie piena come una parete strutturale o trave. Per il montaggio degli accessori visitare il nostro sito web

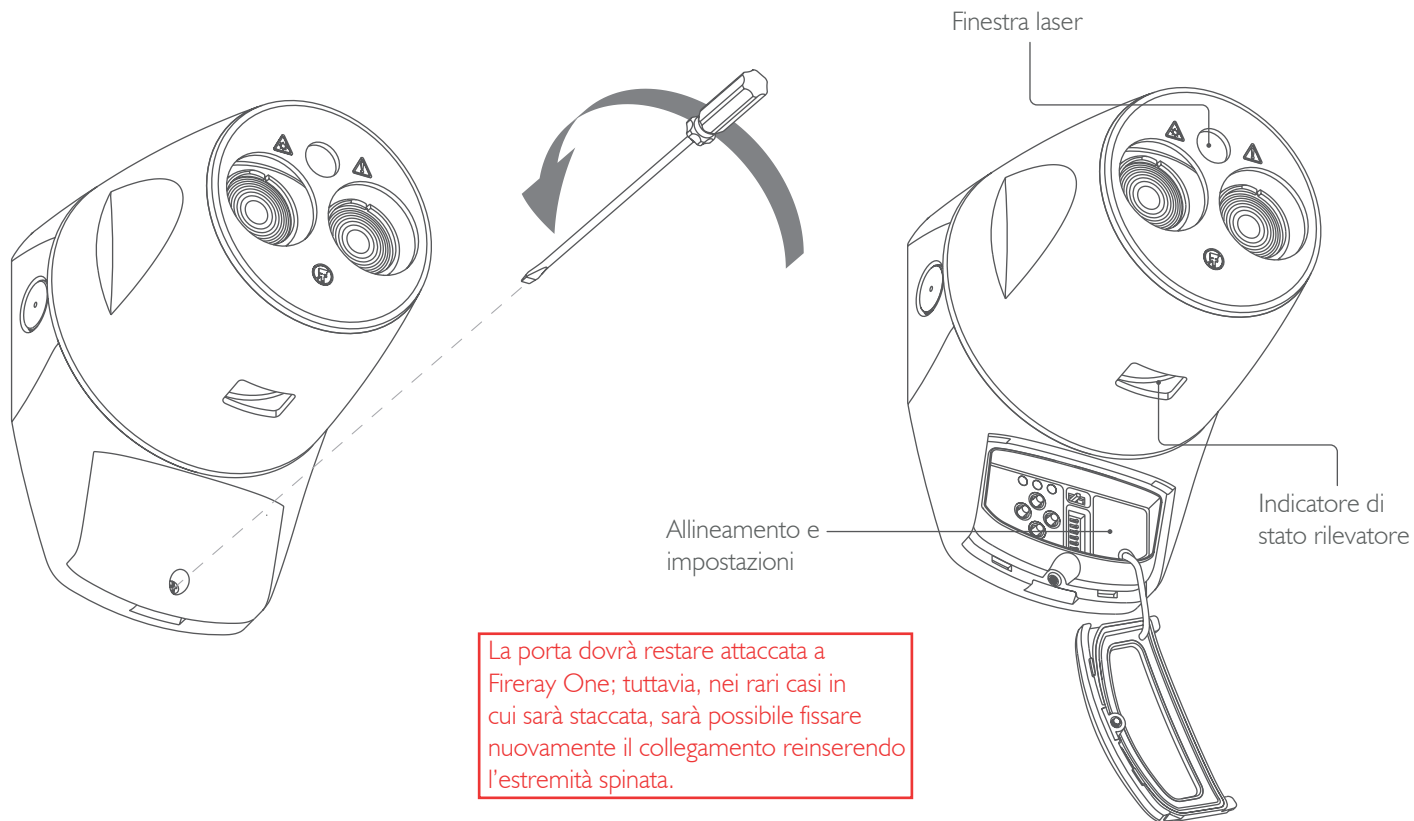


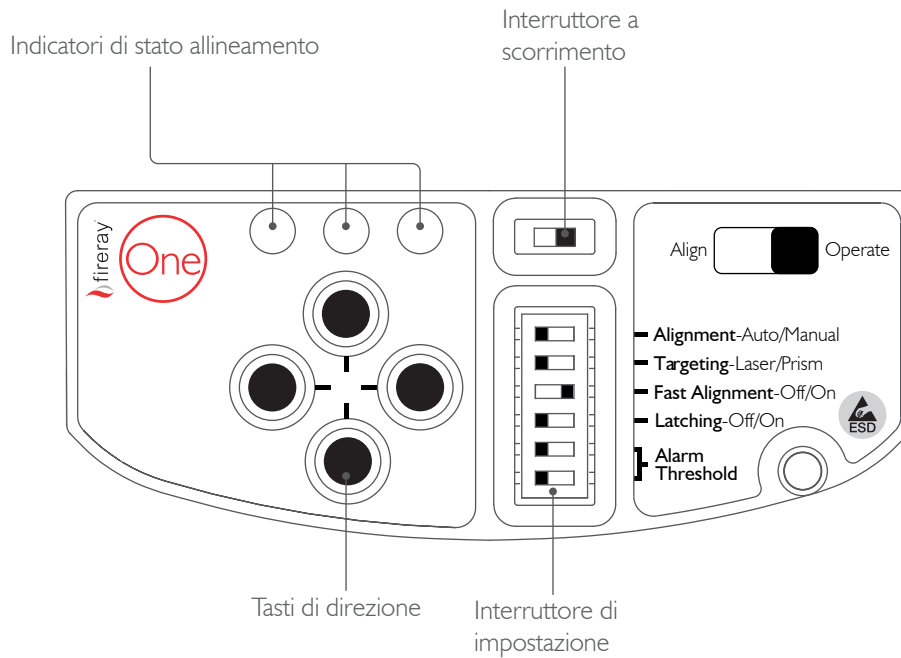


Accertare che la sezione rialzata e quella ribassata siano allineate

## Allineamento

### Accesso a interfaccia utente





# Allineamento

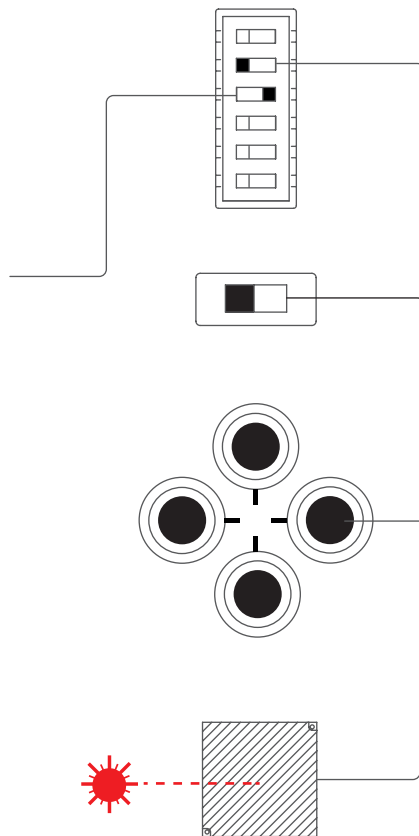
Fireray One si allineerà in meno di un minuto se si seleziona l'allineamento rapido. In questa modalità, il consumo corrente durante l'allineamento sarà 33mA (tornerà a 5mA quando l'allineamento è completo).

Per selezionare la modalità di allineamento rapida, accertare che l'interruttore di impostazione dell'allineamento rapido sia posizionato sul lato destro.

Se è necessario un consumo minore durante l'allineamento, accertare che l'interruttore di impostazione dell'allineamento rapido sia posizionato su Off: il consumo resterà a 5mA, ma l'allineamento richiederà fino a 15 minuti.



RADIAZIONE LASER -  
EVITARE  
L'ESPOSIZIONE DIRETTA  
DEGLI OCCHI  
USCITA ALIMENTAZIONE <  
LASER 5mW CLASSE IIIa  
Lunghezza d'onda 630 - 680 nm



Lo stadio 1 (puntamento) è il processo di utilizzo del laser in modo che il fascio di infrarossi sia sufficientemente vicino al riflettore da consentire l'inizio dell'allineamento.

Accertare che l'interruttore di impostazione del puntamento sia posizionato sul lato sinistro.

Per accendere il laser, spostare l'interruttore a scorrimento a sinistra.

Utilizzare i tasti di direzione per spostare il punto laser sul riflettore.

Se il laser non è visibile, per esempio in ambienti molto luminosi o su lunghe distanze, utilizzare la modalità di puntamento a prisma; fare riferimento alla pagina seguente.

Completato il puntamento, passare allo stadio 2.

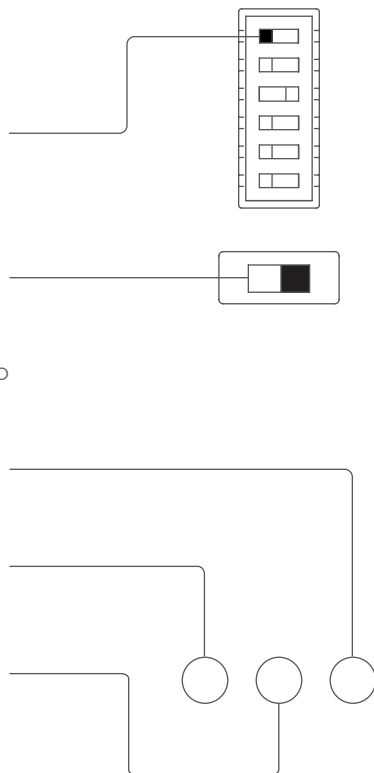
Lo stadio 2 (allineamento) sposta il fascio di infrarossi esattamente al centro del riflettore.

Per selezionare l'allineamento automatico, accertare che l'interruttore di impostazione dell'allineamento sia posizionato sul lato sinistro.

Per avviare l'allineamento automatico, spostare l'interruttore a scorrimento a destra.

I LED di stato dell'allineamento lampeggeranno per mostrare l'avanzamento:

- Il LED verde a destra lampeggerà continuamente durante l'allineamento per indicare che è in corso.
- Il LED verde a sinistra lampeggerà per indicare a quale stadio (da 1 a 4) del processo si trova.
- In caso di mancato allineamento, dovuto a qualsiasi ragione, il LED giallo lampeggerà e il numero di lampeggi indicherà lo stadio di allineamento non riuscito.



In caso di mancato allineamento, accertare che sia installato il numero corretto di riflettori, che il gioco assegnato sia esatto e che non vi siano superfici riflettenti attorno al riflettore o vicino al percorso del fascio, e riprovare l'allineamento.

Se l'allineamento fallisce ripetutamente, è possibile eseguirlo manualmente.

Dopo avere completato l'allineamento con successo, il LED verde a destra lampeggerà per 10 secondi.

I relè di incendio e guasto passeranno allo stato normale e l'indicatore di stato del rilevatore lampeggerà in verde ogni 10 secondi.

A questo punto è possibile selezionare le soglie di allarme e la modalità di salvataggio, oltre a testare il rilevatore per accertare che funzioni e sia collegato correttamente al pannello di controllo incendio

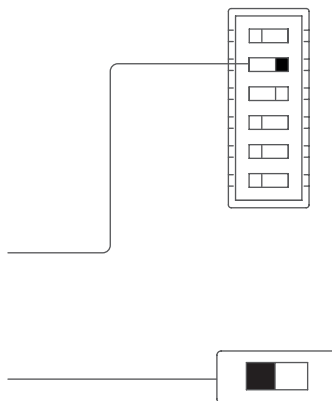
## Puntamento a prisma

Il puntamento a prisma dovrà essere utilizzato soltanto quando il laser non è visibile, per esempio in condizioni di illuminazione forte dell'ambiente o a distanze molto lunghe.

Accertare che l'interruttore di impostazione del puntamento sia posizionato sul lato destro.

Spostare l'interruttore a scorrimento a sinistra. Il LED verde e giallo lampeggeranno insieme per qualche secondo per mostrare che il rilevatore ha avviato il puntamento a prisma.

Se il LED verde resta acceso, il rilevatore riceve indietro luce sufficiente dal riflettore. Coprire il riflettore; se il LED verde si spegne, la luce ricevuta dal rilevatore proviene dal riflettore e si può quindi procedere allo stadio di allineamento. Se il LED verde resta acceso con il riflettore coperto, la luce ricevuta dal rilevatore è riflessa da qualche altro oggetto nel percorso del fascio o attorno a esso. Prestare attenzione che non vi siano oggetti riflettenti entro 0,5 m dal centro del percorso del fascio e riprovare il puntamento a prisma.



Il LED giallo lampeggerà ogni due secondi se il rilevatore non riceve luce sufficiente dal riflettore. Il numero di lampeggi indica la potenza del segnale ricevuto. Utilizzare i pulsanti di direzione per spostare il rilevatore in un asse fino all'aumento dei lampeggi. Se il numero di lampeggi resta invariato, proseguire nella stessa direzione. Se il numero diminuisce, invertire la direzione. Quando il numero di lampeggi inizia ad aumentare, proseguire finché:

- Il LED verde si accende, quindi coprire il riflettore come descritto sopra
- I lampeggi gialli iniziano a diminuire nuovamente, quindi invertire la direzione per 2 step e eseguire lo stesso processo nell'altro asse.

Se è stato eseguito il puntamento del prisma su ambo gli assi e il LED verde è ancora acceso, verificare che il numero di riflettori usati per il range sia corretto, che non sia stata superata la distanza massima (120 m) e che riflettore e rilevatore siano paralleli l'uno all'altro.

---

## Allineamento manuale

Utilizzare l'allineamento manuale solo quando quello automatico non è riuscito, dopo avere verificato anche che il numero di riflettori installati sia corretto e che il gioco assegnato attorno al percorso del fascio sia esatto.

Eeguire il puntamento come descritto in precedenza.

Accertare che l'interruttore di impostazione I sia posizionato a destra e spostare l'interruttore a scorrimento a destra

Il LED verde e giallo possono lampeggiare se il rilevatore deve eseguire una regolazione di alimentazione iniziale.

Quando i LED smettono di lampeggiare, utilizzare i pulsanti di direzione per spostare il rilevatore nell'asse su-giù. Utilizzare innanzitutto il pulsante di direzione giù. Premere il pulsante una volta e attendere di vedere quanto indicato dal LED. Se i LED verde e giallo lampeggiano entrambi, il segnale non è cambiato e non sono quindi necessari ulteriori movimento di tale asse.

Se il LED giallo lampeggia, il segnale è minore e il rilevatore si allontana dal riflettore. Il movimento seguente deve essere in direzione opposta. Spostare nuovamente il rilevatore con i pulsanti di direzione, questa volta ci sarà un lampeggio verde.

Se il LED verde lampeggia, il segnale è maggiore e il rilevatore si avvicina al riflettore. Il movimento seguente deve essere nella stessa direzione. Continuare a spostare il rilevatore, attendendo che il LED lampeggi ogni volta. Se il LED verde continua a lampeggiare, proseguire nella stessa direzione. Se il LED giallo e verde lampeggiano, spostarsi sull'altro asse. Se il LED giallo lampeggia, spostarsi indietro in direzione opposta una volta, quindi spostarsi sull'altro asse.

Seguire lo stesso processo con i pulsanti di direzione, questa volta sull'asse sinistra-destra. Iniziare spostandosi verso sinistro e seguire gli stessi lampeggi del LED descritti nell'asse su-giù.

Completato l'allineamento su ambo gli assi, spostare quindi l'interruttore di impostazione I a sinistra. Il LED verde a destra lampeggerà per 10s, i relè di incendio e guasto passeranno allo stato normale e l'indicatore di stato del rilevatore lampeggerà in verde ogni 10 secondi.

A questo punto è possibile selezionare le soglie di allarme e la modalità di salvataggio, oltre a testare il rilevatore per accertare che funzioni e sia collegato correttamente al pannello di controllo incendio

## Soglia incendio

Soglia	SW5	SW6
25%	On	On
35%	Off	Off
55%	On	Off
85%	Off	On

**Selezione soglia EN54-12:** Sono approvate soltanto le soglie del 25% e del 35%. Entrambe sono idonee per separazioni da 5 m a 120 m.

**Selezione soglia UL268:** Selezionare la soglia corretta per la distanza installata:

Separazione tra il rilevatore e il riflettore	Soglie di allarme accettabili
<25ft (<7,5 m)	25%
25 – 55ft (7,5 – 16,5 m)	25%, 35%
55 – 110ft (16,5 – 33,5 m)	35%, 55%
110 – 175ft (33,5 – 53 m)	55%, 85%
175 – 394ft (53 – 120 m)	85%

## Test di accettazione sensibilità UL

L'avvenuto allineamento del rilevatore controllerà il corretto funzionamento del rilevatore e il suo livello di sensibilità.

## Modalità Salvataggio

Lo stato incendio sarà annullato quando si recupera l'intensità del segnale, tranne qualora sia selezionata la Modalità salvataggio. Per selezionarla, spostare la Modalità salvataggio in posizione On.

## Ripristino esterno

Se si seleziona la Modalità salvataggio, l'annullamento di una condizione di incendio elimina l'alimentazione per non più di 10 secondi o applica una tensione maggiore di 5V a Ext-Rst per più di 2 secondi.



## Indicazioni di stato e individuazione guasti

---

### Indicazioni di stato

Durante il normale funzionamento, il LED dell'indicatore di stato del rilevatore lampeggerà in verde ogni 10 secondi e i relè di incendio e guasto saranno in posizione normale.

Se il rilevatore è in stato di guasto, il suo LED lampeggerà in giallo ogni 10 secondi per indicare un errore di segnale alto/basso, ogni 5 secondi per indicare un errore AGC/compensazione e ogni 3 secondi per indicare un guasto interno. Il relè di guasto cambierà stato.

Se il rilevatore è in stato di incendio, il suo LED lampeggerà in rosso ogni 10 secondi e il relè di incendio cambierà stato.

### Pulizia

Il rilevatore compenserà automaticamente l'accumulo di polvere modificando il livello AGC. Quando si raggiunge il livello AGC, il rilevatore indicherà un guasto e si dovrà eseguire la pulizia.

Si raccomanda quindi di pulire periodicamente le finestre delle lenti del rilevatore e il riflettore con un panno morbido che non lascia residui per evitare guasti limite AGC.

Dopo la pulizia, se il rilevatore è in stato di guasto, l'intensità del segnale può essere aumentata oltre la soglia di segnale troppo alto. In questo caso, riallineare il rilevatore.

### Test

Dopo l'installazione o dopo un intervento di pulizia si raccomanda di eseguire il test incendio e guasto:

Test incendio: Coprire lentamente il riflettore impiegando più di 5 secondi. Il rilevatore indicherà l'incendio dopo 10 secondi.

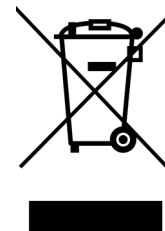
Test guasto: coprire il riflettore completamente impiegando meno di 2 secondi. Il rilevatore indicherà il guasto dopo 10 secondi.

## Dati tecnici

Parametri Fireray One	Minimo	Tipico	Massimo	Unità
Tensione di esercizio	14	-	36	V
Corrente di esercizio	4,5	5,0	5,5	mA
Corrente di esercizio – Modalità di allineamento	31	33	35	mA
Soglie di risposta (25%, 35%, 55%, 85%) (nota – soltanto il 25% e il 35% sono approvate da EN54-12)	1,25 25	1,87 35	8,24 85	dB %
Ritardo allarme	-	10	-	s
Ritardo guasto	-	10	-	s
Distanza di esercizio (Separazione tra rilevatore e riflettore) (sono necessari 4 riflettori per >50 m, > 164ft)	5 16	-	120 394	m piedi
Soglia guasto oscuramento rapido	-	85	-	%
Range di massimo allineamento angolare del rilevatore	-	-	±4,5	gradi
Tolleranza al disallineamento del fascio (per EN54-12) – Rilevatore	-	±0,5	-	gradi
Tolleranza al disallineamento del fascio (per EN54-12) – Riflettore	-	±5	-	gradi
Lunghezza d'onda ottica	-	850	-	nm
Temperatura di esercizio	-20 -4	-	+55 +131	°C °F
Temperatura di immagazzinamento	-40 -40	-	+85 +185	°C °F
Umidità relativa (senza condensa)	-	-	93	%UR
Grado di protezione IP	-	55	-	-
Relè incendio e guasto (VFCO, resistivi) - Tensione contatto	-	-	30	V DC
Relè incendio e guasto (VFCO, resistivi) - Corrente contatto	-	-	2	A
Diametro del cavo	22 0,5	- -	14 1,6	AWG mm
Grado di infiammabilità dell'alloggiamento	-	UL940 V0	-	-

Dimensioni e peso di Fireray One	Larghezza (mm)	Altezza (mm)	Profondità (mm)	Peso (kg)
Rilevatore riflettente	134	182	151	0,7
Riflettore	100	100	10	0,1

## Smaltimento dell'attrezzatura



I prodotti che recano questo simbolo non possono essere smaltiti come rifiuti indifferenziati nell'Unione Europea. Per un corretto riciclo, restituire il prodotto al fornitore locale all'acquisto di una nuova attrezzatura equivalente oppure smaltirlo presso i punti di raccolta designati. Per maggiori informazioni, consultare [www.recyclethis.info](http://www.recyclethis.info).



